

MhouseKit SL10

Strong for sliding gates



Kit for automation of a residential sliding gate weighing up to 500kg

Easy installation with the Mhouse

ECSBus system: only two wires are required for polarity free connection of the main system components. The colour-coded terminals, each of which identifies a set, enable quick, error-proof connections. The aerial is integrated in the flashing light for greater security

Reliable and noiseless: mechanical parts made of metal, die-cast painted aluminium base, gear motor mounted on bearings

No waiting in front of the gate: only 23 seconds to open and close (in perfect installation conditions, for a sliding gate 4 long)

“Plug 'n Play” connections very simple and quick, with easy identification of wires and terminals

Extra safe thanks to the low-voltage connections (24V), the safety accessories and the automatic obstacle detection feature

Auto-programming: automatically calculates the most suitable operating parameters for each gate

Autodiagnostic system identifies and immediately signals any connection errors or malfunctions

Modular control card with integrated receiver

- 2 speeds
- Timed and adjustable automatic closing function
- Programming of new transmitters (up to 150)
- Adjustable partial opening function
- Pause time adjustment
- Obstacle sensitivity adjustment
- Automatic recognition of NC-NO-8.2K safety devices, if installed

Quick motor release for manual gate operation

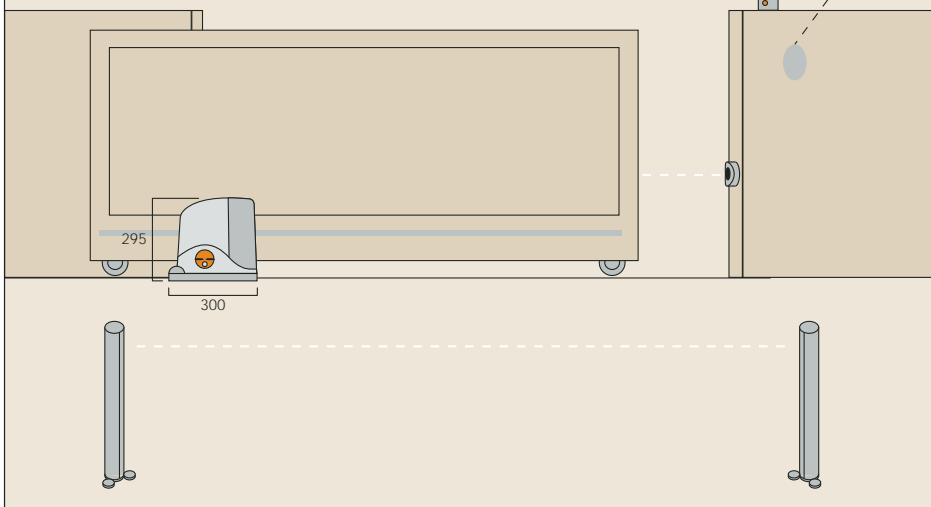
No black-out: the buffer batteries guarantee up to ten opening and closing manoeuvres even in the event of power outages (accessory)



mhouse
4

Mhouse
Via Pezza Alta 13
31046 Oderzo TV Italia
Tel. +39 0422 202 109
Fax +39 0422 853 585
info@mhouse.biz
www.mhouse.com

Installation



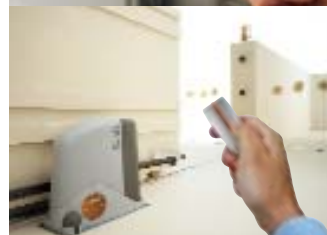
1 The gear motor must be secured to a concrete base using the foundation plate

2 Mount the gear rack on the gate

3 Install and connect all the system elements

4 Connect the wires with the terminals to the control unit and start the automatic programming function

5 The system is ready to receive your commands!



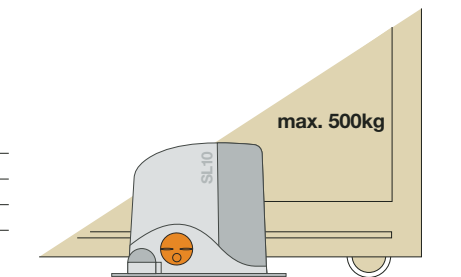
Connections

The gauges of the required power cables are specified on the technical literature (the length varies according to the installation layout)

Operating limits

Max weight (kg)	500
Max no. of manoeuvres/day	50*
Operating temperature (°C)	-20 ÷ +50

*opening + closing



Each Kit SL10 contains:

1 SL10 230Vac electromechanical gear motor with integrated control unit and 433.92MHz variable code receiver. Three Mhouse release keys and mounting plate included



2 TX4 433.92MHz 4 buttons variable code transmitters



1 PH1 Pair of wall-mounted autosynchronized photocells



1 KS1 Two-position (open/stop) key-operated selector switch with pair of metal keys



1 FL1 Adjustable flashing light with incorporated aerial



Accessories:

CR100 Nylon gear rack with steel core, four 1-metre sections
CR25 One 1-metre section



PT50 Two posts of 485mm high complete with a pair of premounted photocells
PT100 Two posts of 945mm high complete with two pairs of premounted photocells



DS1 13-key digital switch with programmable code, via radio



PR1 24V buffer battery for emergency power supply

