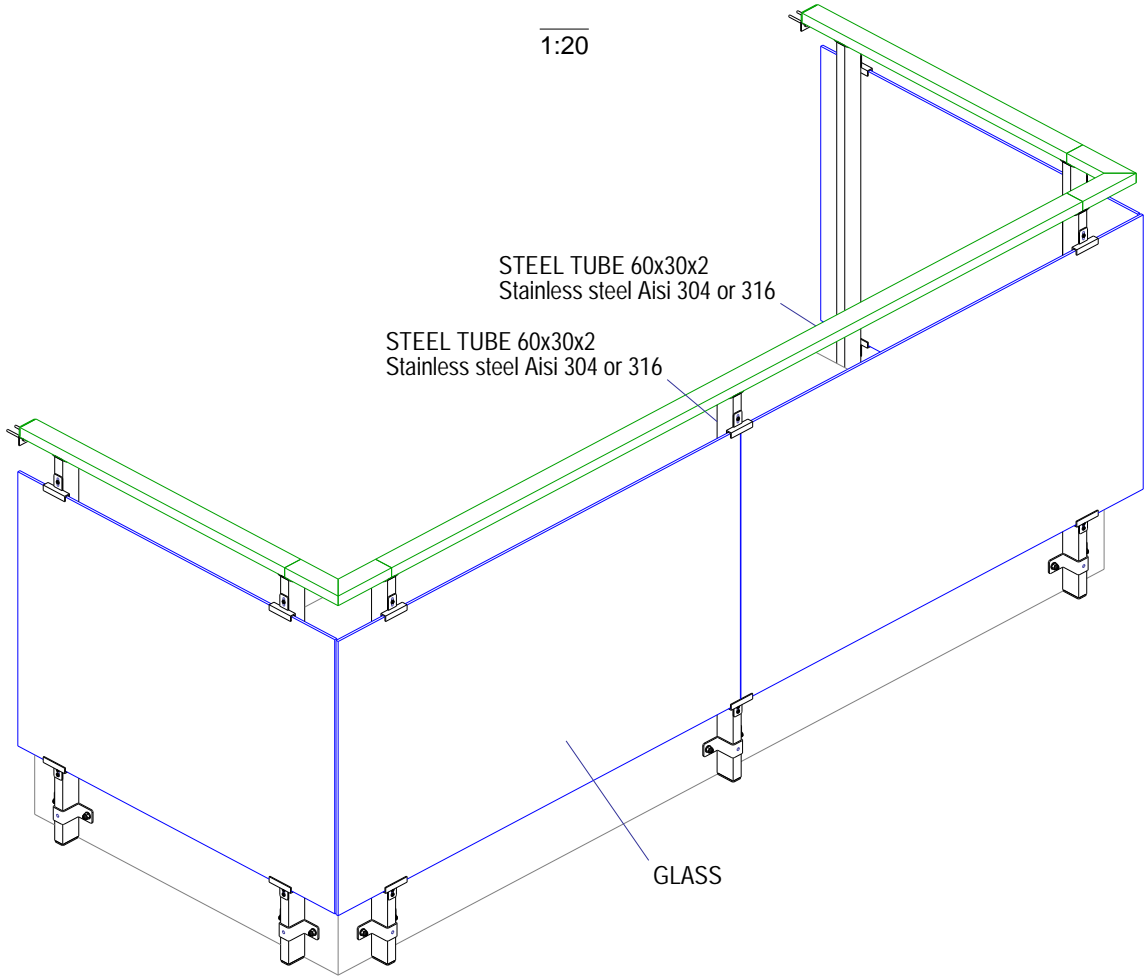


TEMPLATE

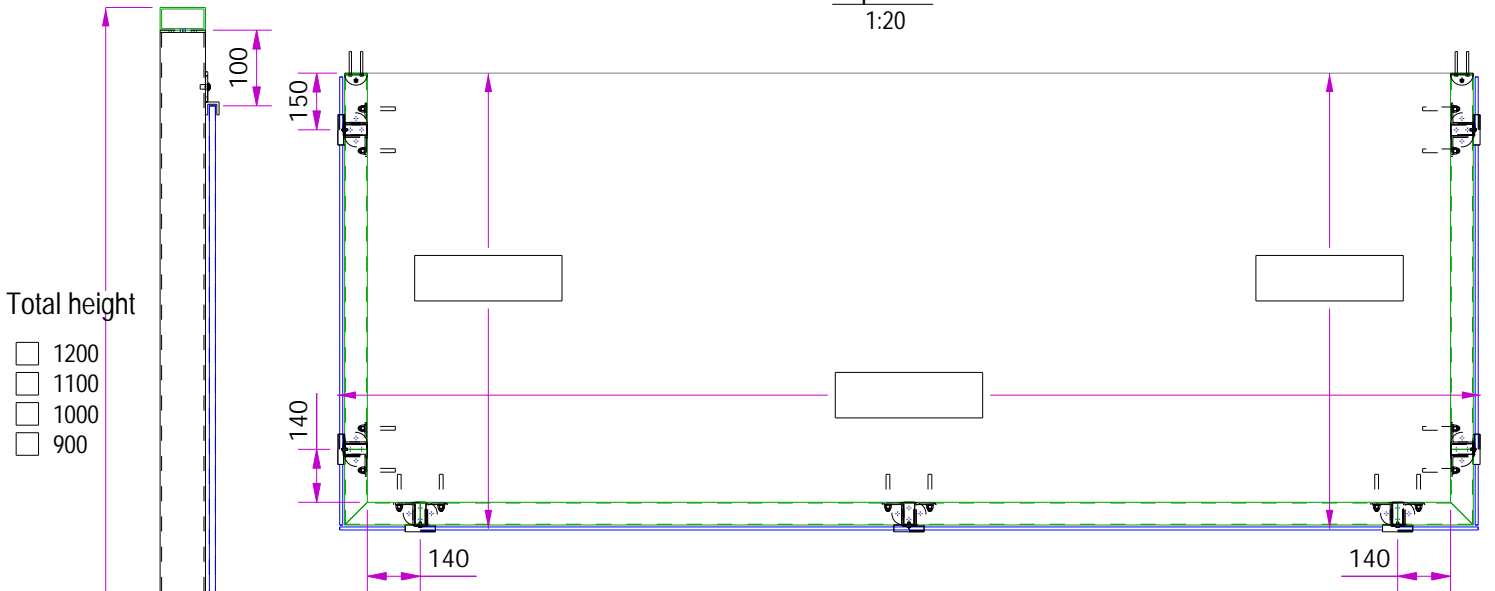
GLASS RAILINGS 514.63-2

22.02.2018

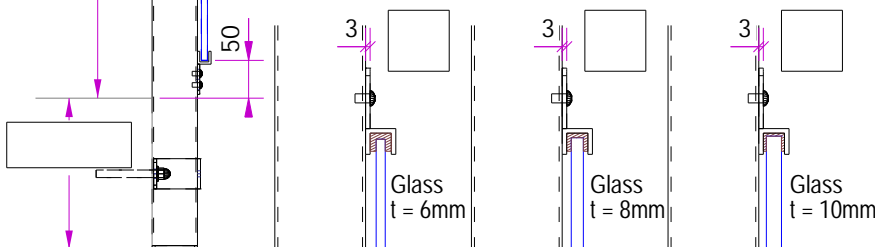


Side view
1:10

Top view
1:20



Glass thickness
1:5



• **staBico** •

Producer: STABICO OU

Tallinn, Estonia

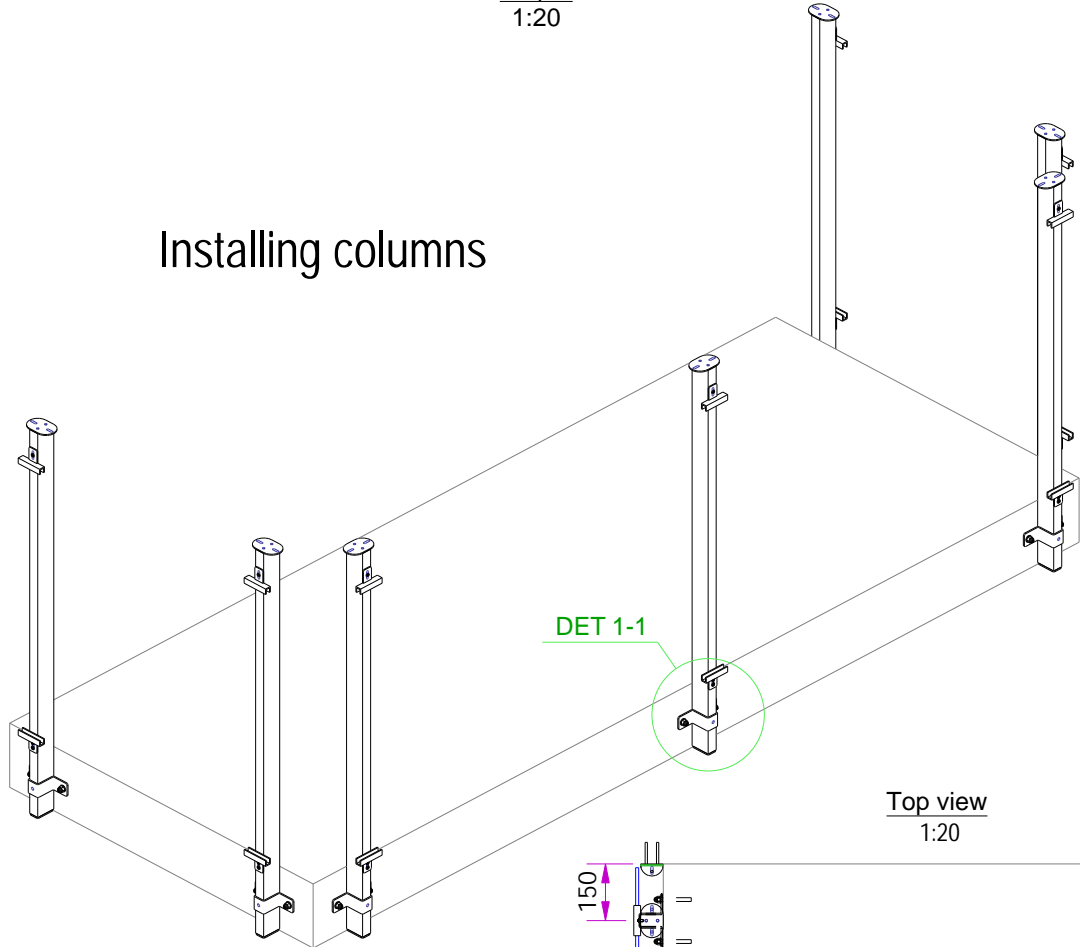
Tel: +372 555 17 989

e-mail: stabico@stabico.ee

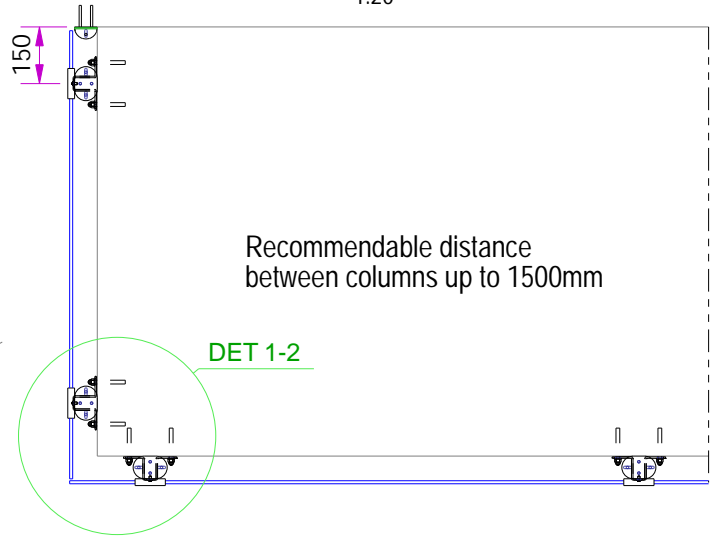
Web: www.stabico.ee

Step 1
1:20

Installing columns

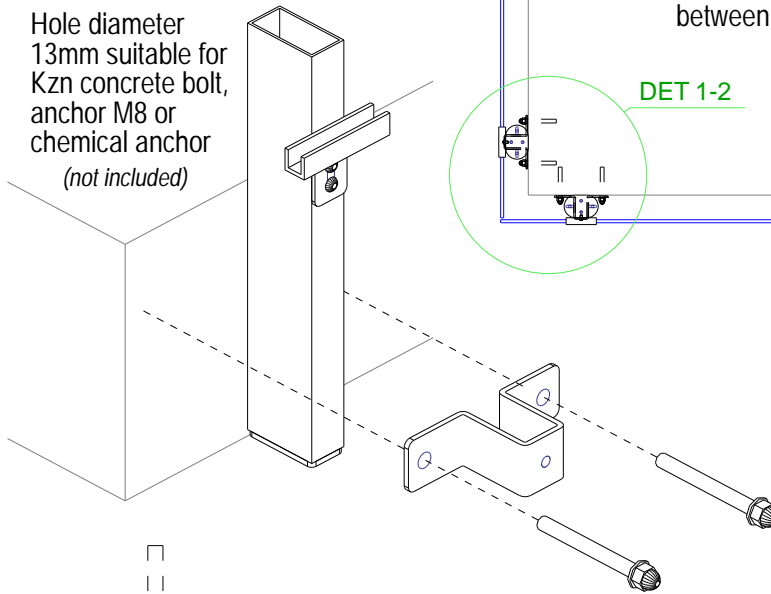


Top view
1:20

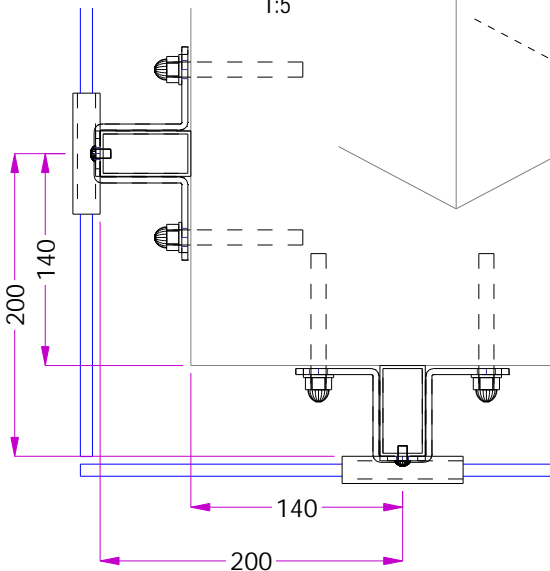


1-1
1:5

Hole diameter
13mm suitable for
Kzn concrete bolt,
anchor M8 or
chemical anchor
(not included)



1-2
1:5



• staBico •

Producer: STABICO OU

Tallinn, Estonia

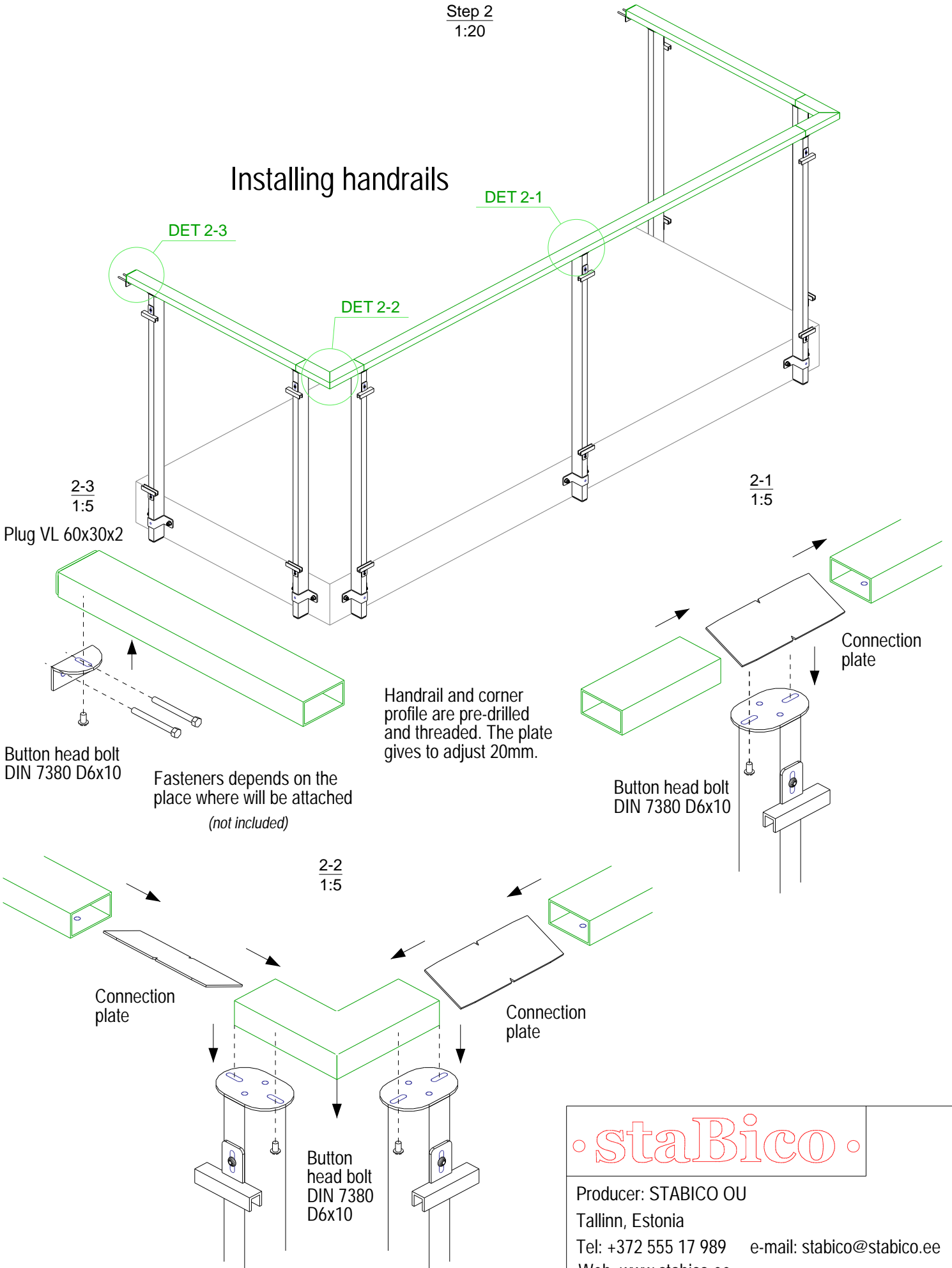
Tel: +372 555 17 989

e-mail: stabico@stabico.ee

Web: www.stabico.ee

Step 2
1:20

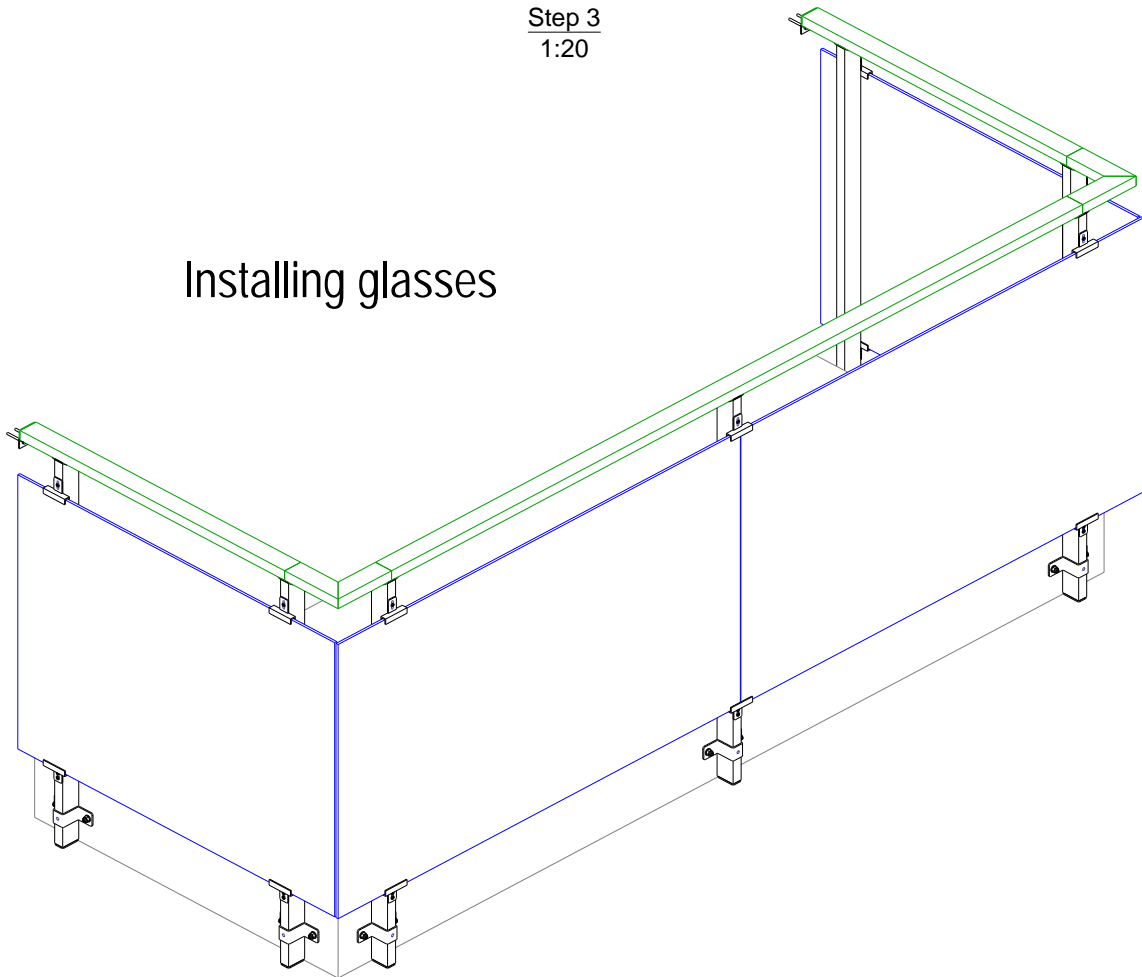
Installing handrails



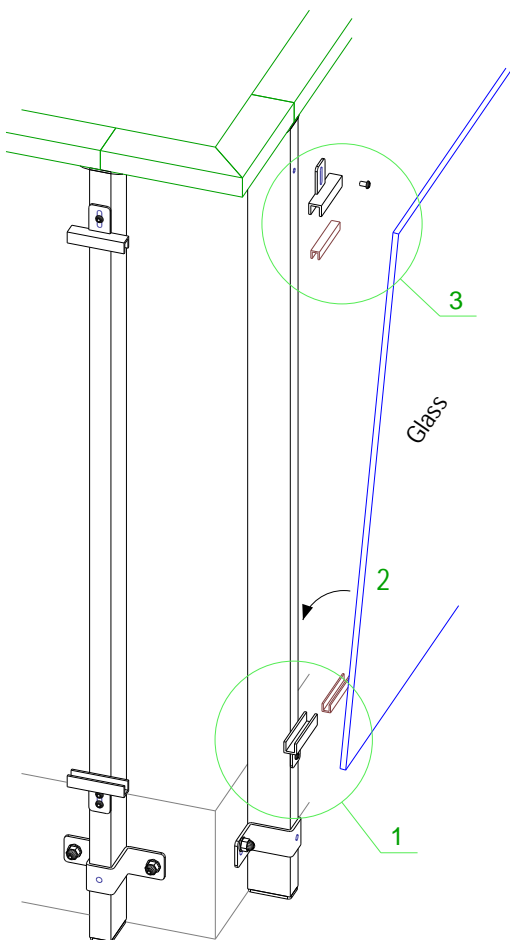
Producer: STABICO OU
Tallinn, Estonia
Tel: +372 555 17 989 e-mail: stabico@stabico.ee
Web: www.stabico.ee

Step 3
1:20

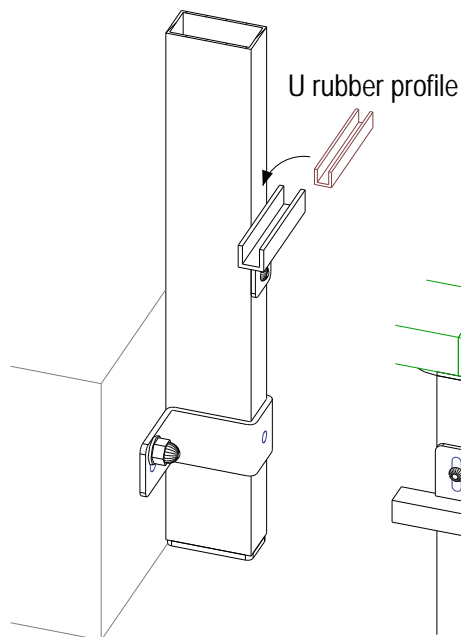
Installing glasses



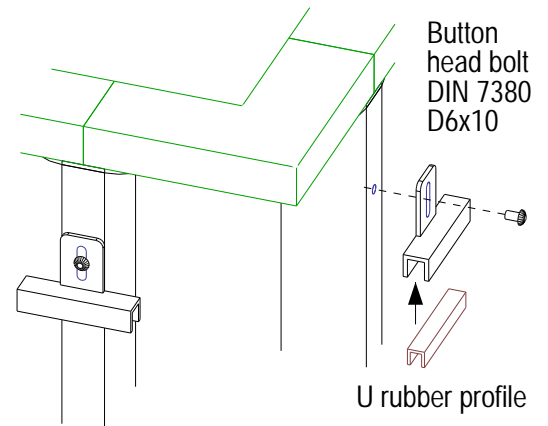
3-1
1:10



1
1:5



3
1:5



• staBico •

Producer: STABICO OU

Tallinn, Estonia

Tel: +372 555 17 989 e-mail: stabico@stabico.ee

Web: www.stabico.ee