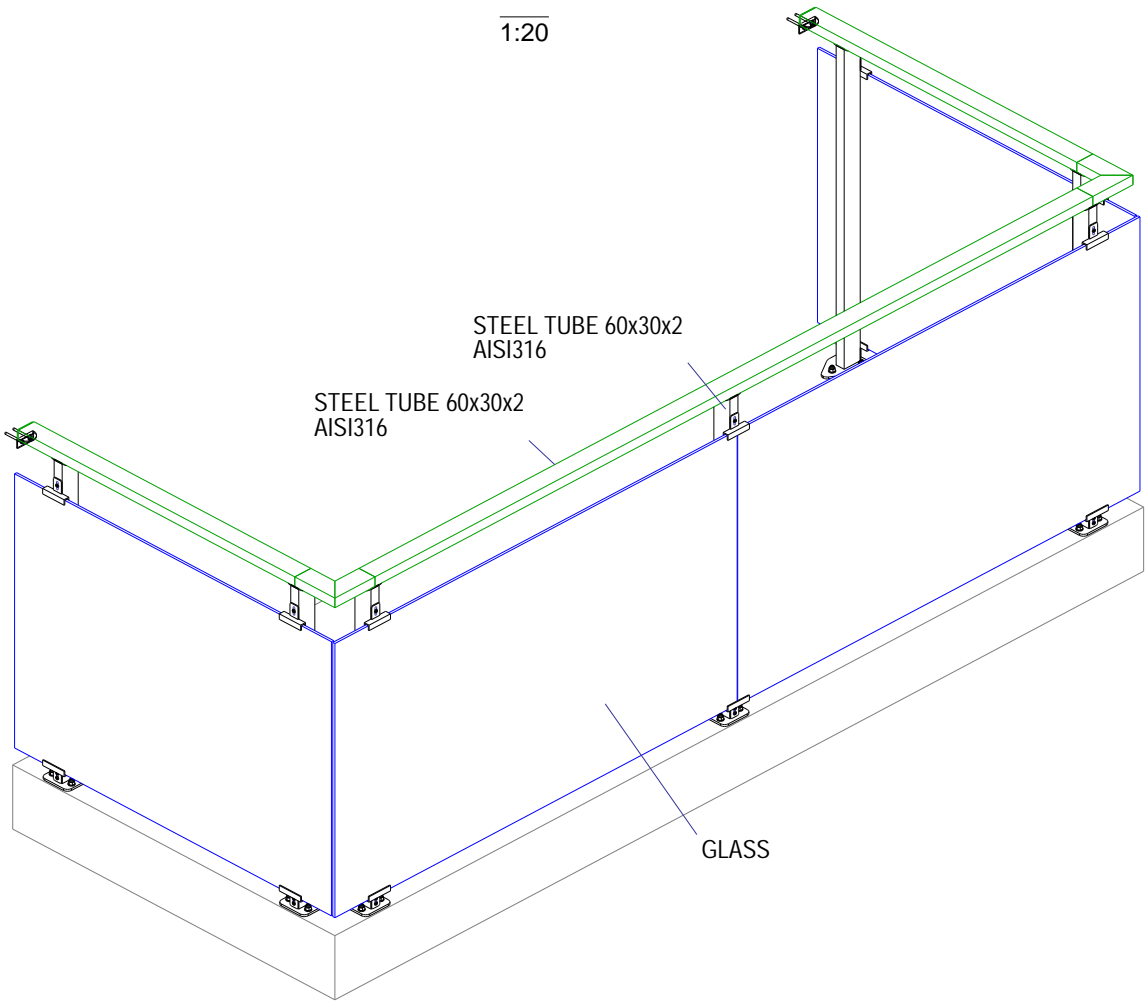


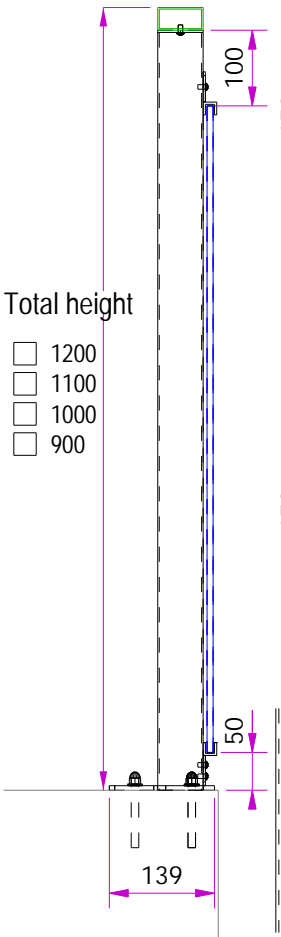
TEMPLATE

GLASS RAILINGS 514.63 - 1

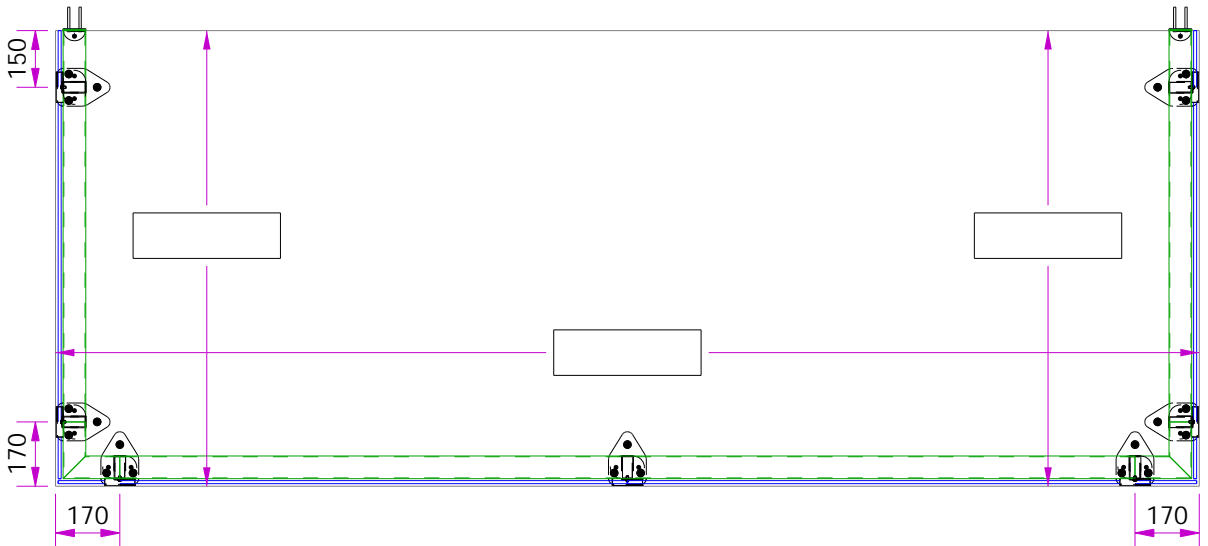
02.01.2018



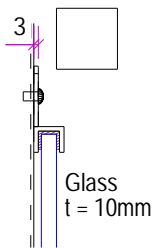
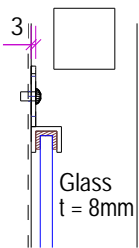
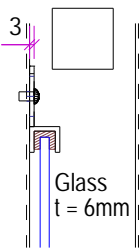
Side view
1:10



Top view
1:20



1:5



• staBico •

Producer: STABICO OU

Tallinn, Estonia

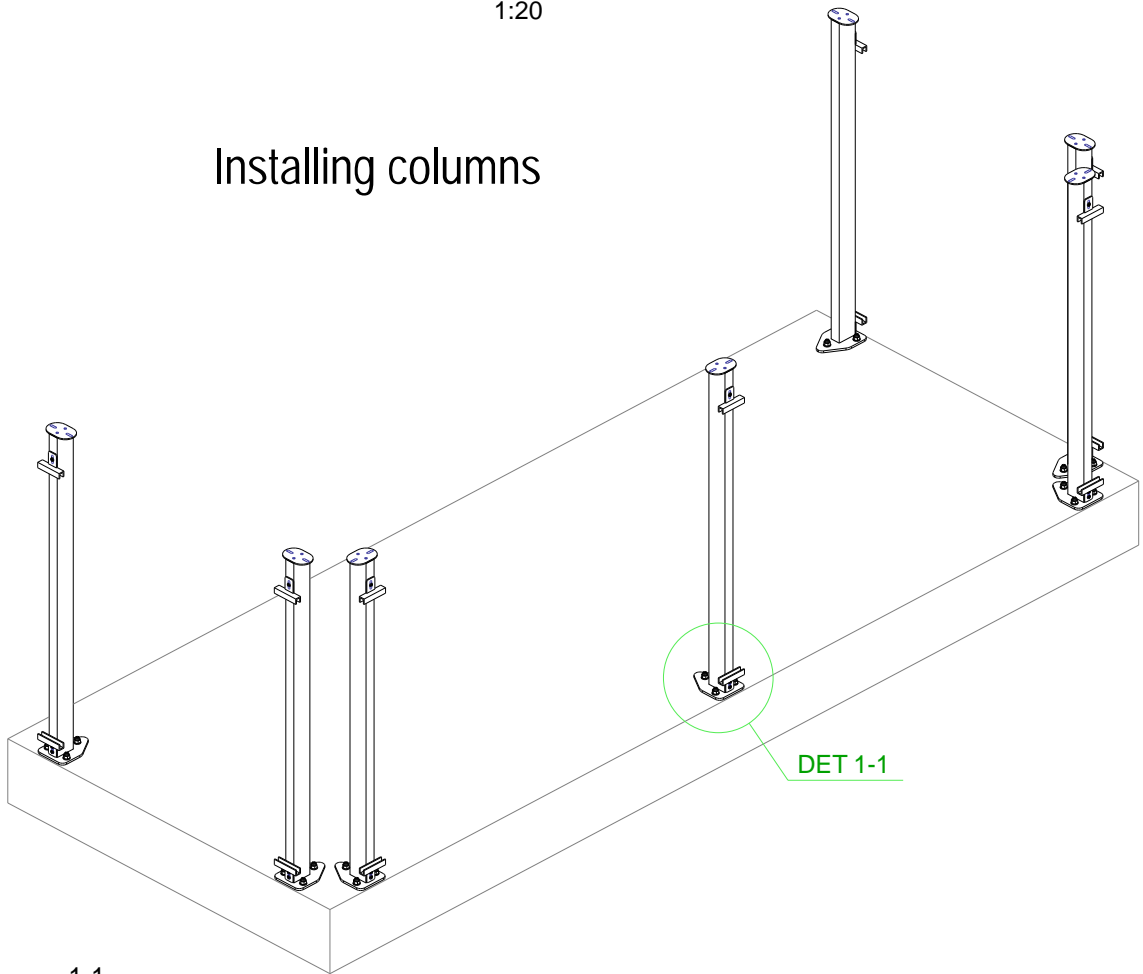
Tel: +372 555 17 989

e-mail: stabico@stabico.ee

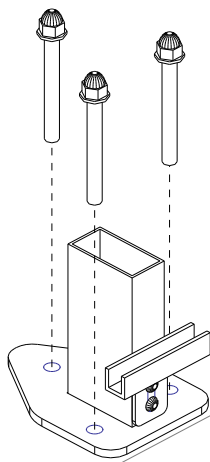
Web: www.stabico.ee

Step 1
1:20

Installing columns

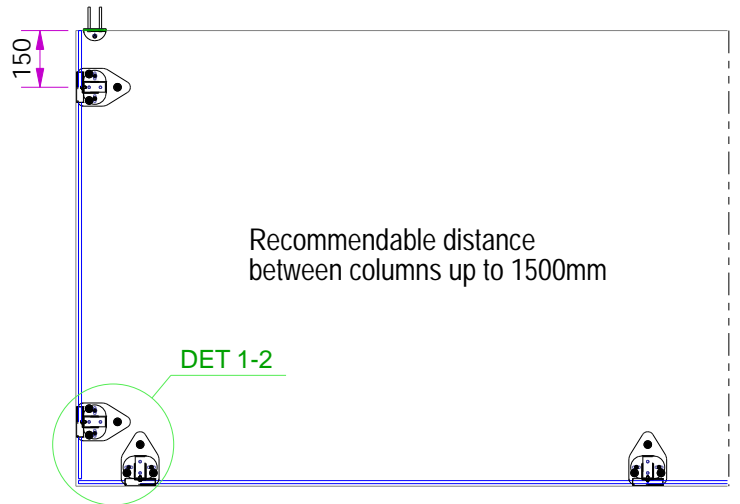


1-1
1:5

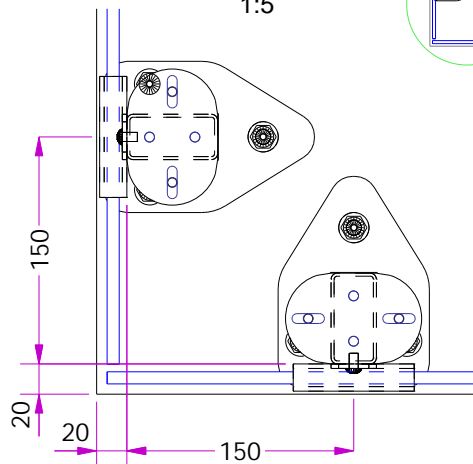


Hole diameter
11mm suitable for
Kzn concrete bolt,
anchor M8 or
chemical anchor
(not included)

Top view
1:20



1-2
1:5



• staBico •

Producer: STABICO OU

Tallinn, Estonia

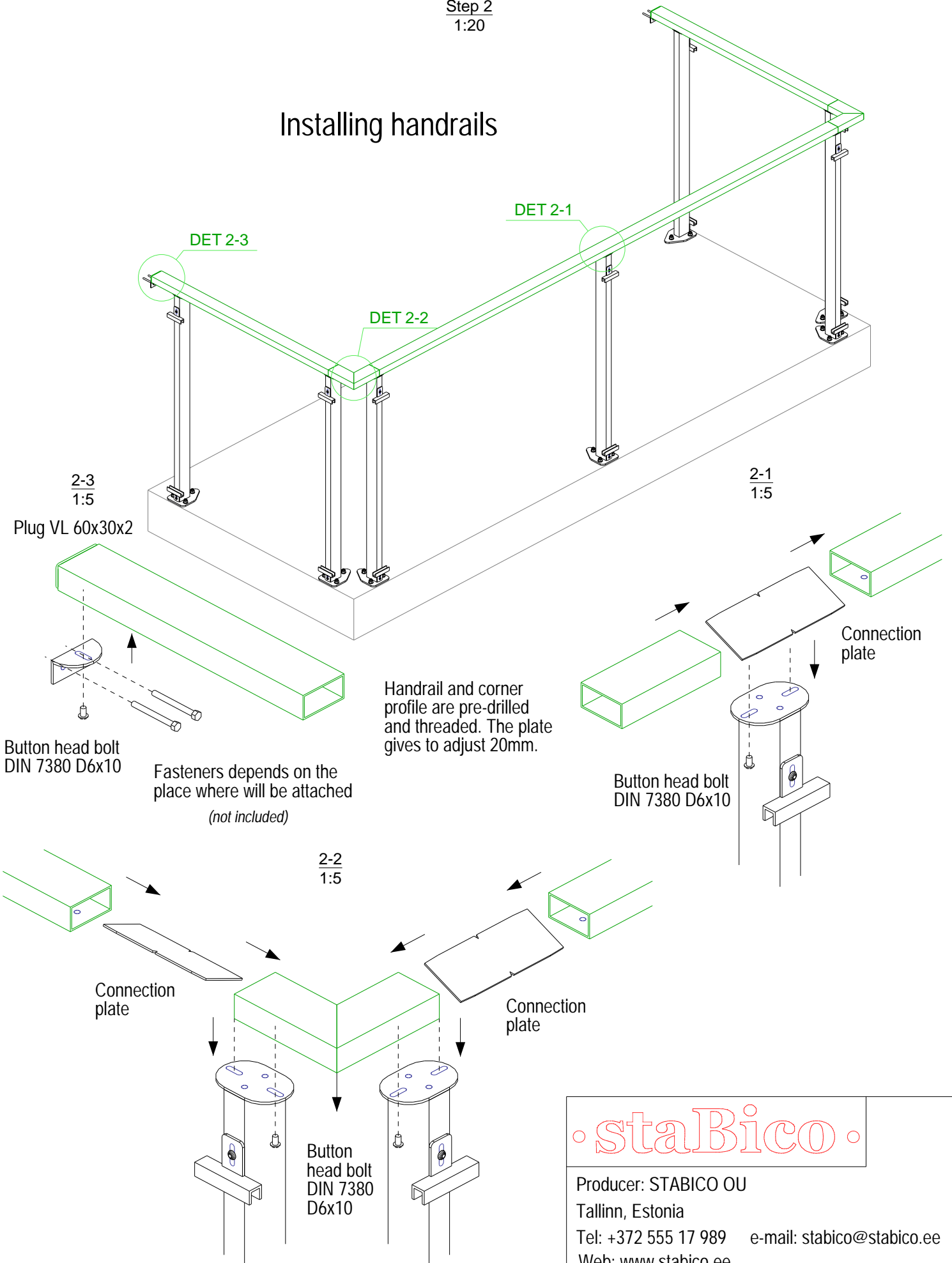
Tel: +372 555 17 989

e-mail: stabico@stabico.ee

Web: www.stabico.ee

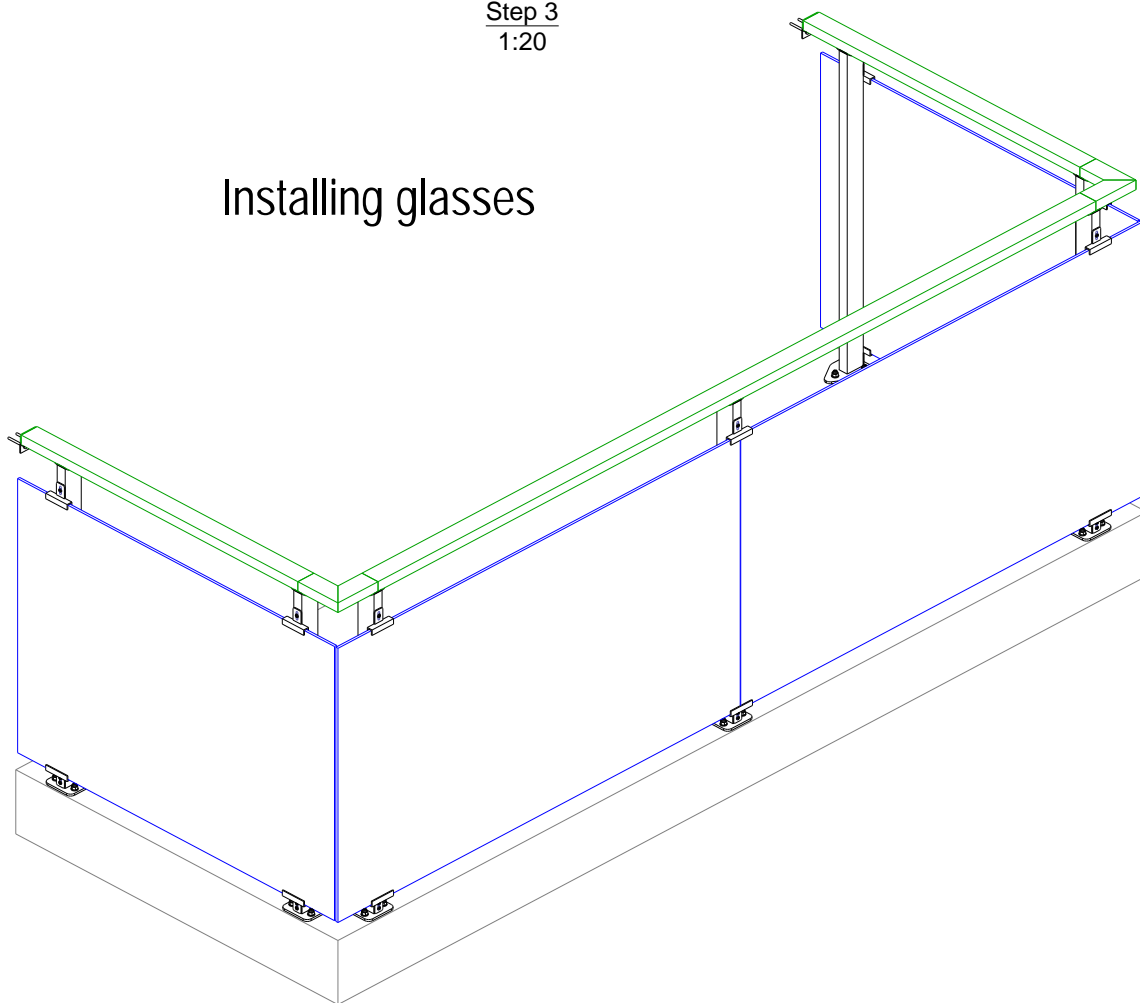
Step 2
1:20

Installing handrails

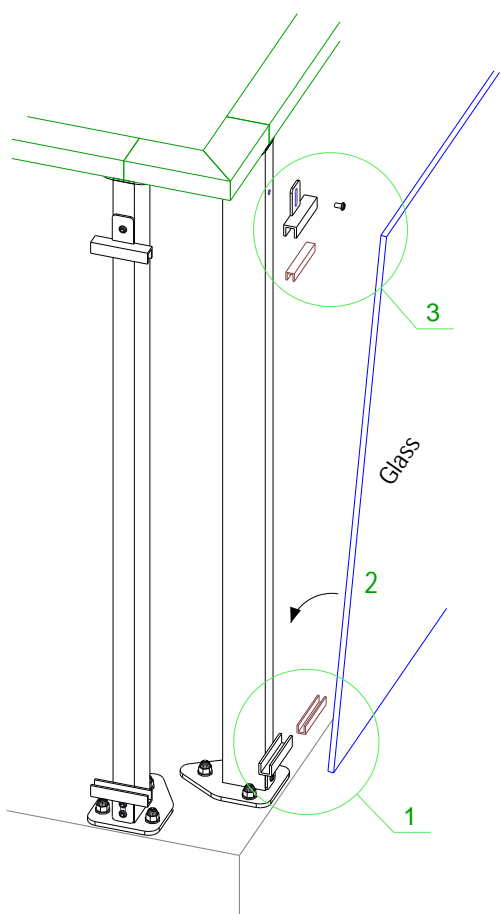


Step 3
1:20

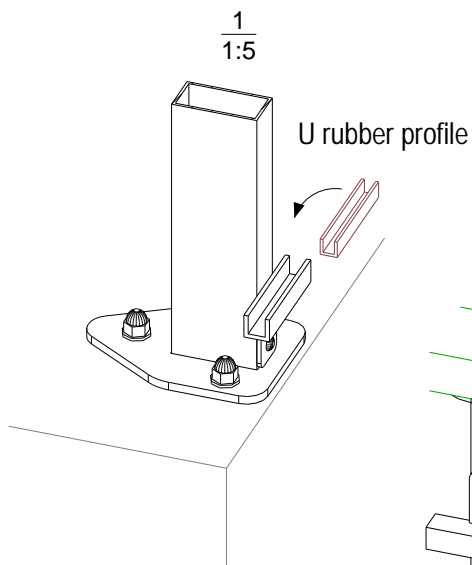
Installing glasses



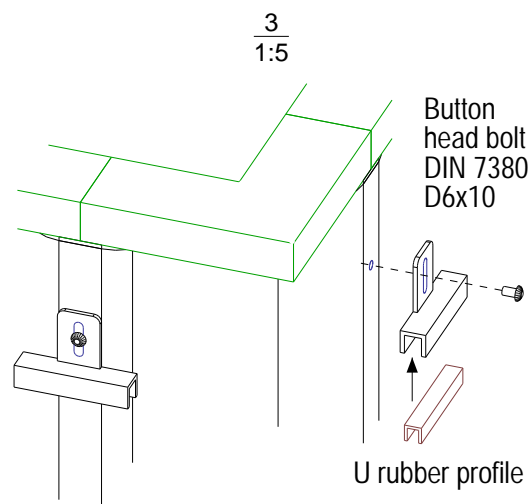
3-1
1:10



1
1:5



3
1:5



• staBico •

Producer: STABICO OU

Tallinn, Estonia

Tel: +372 555 17 989 e-mail: stabico@stabico.ee

Web: www.stabico.ee