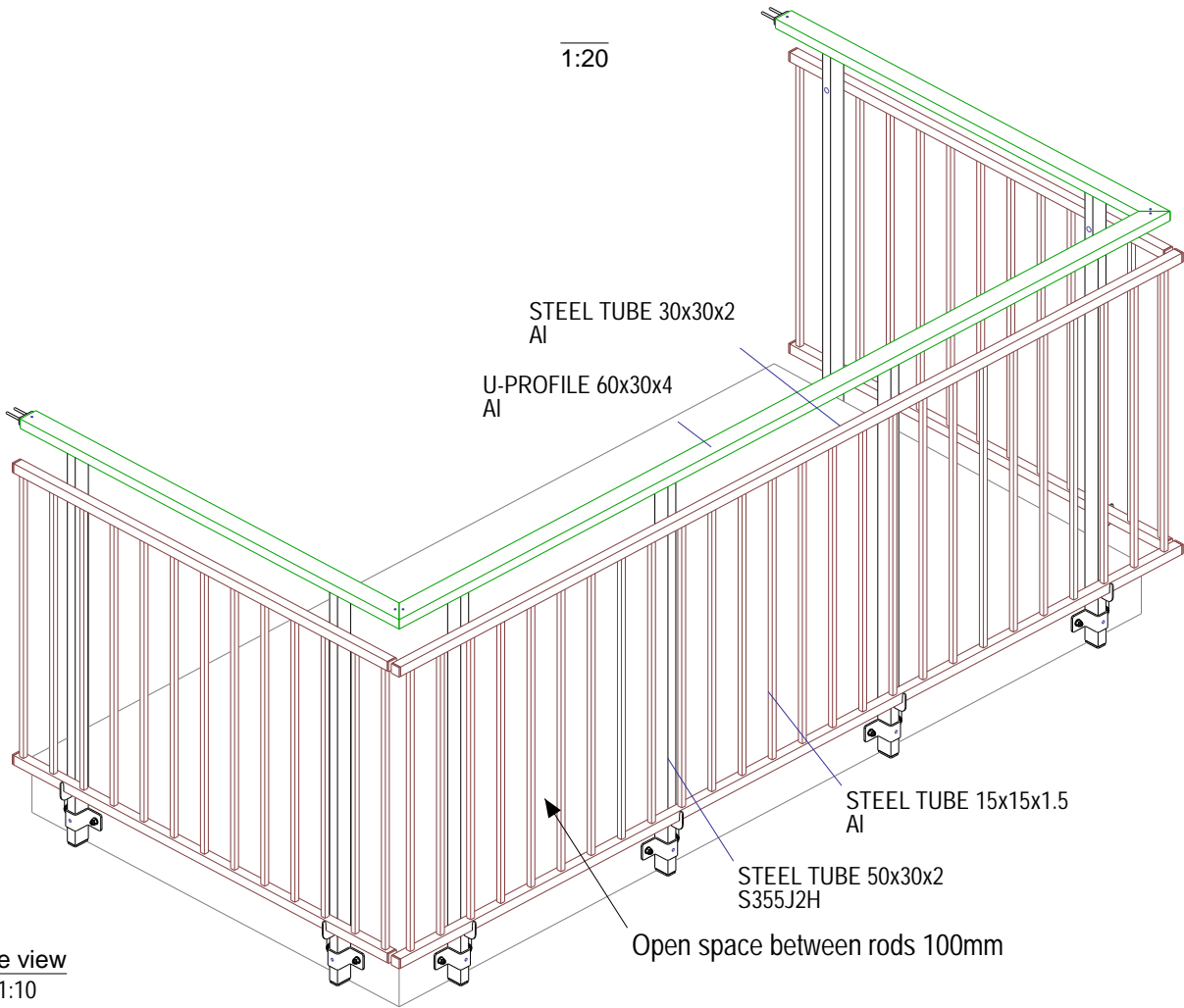


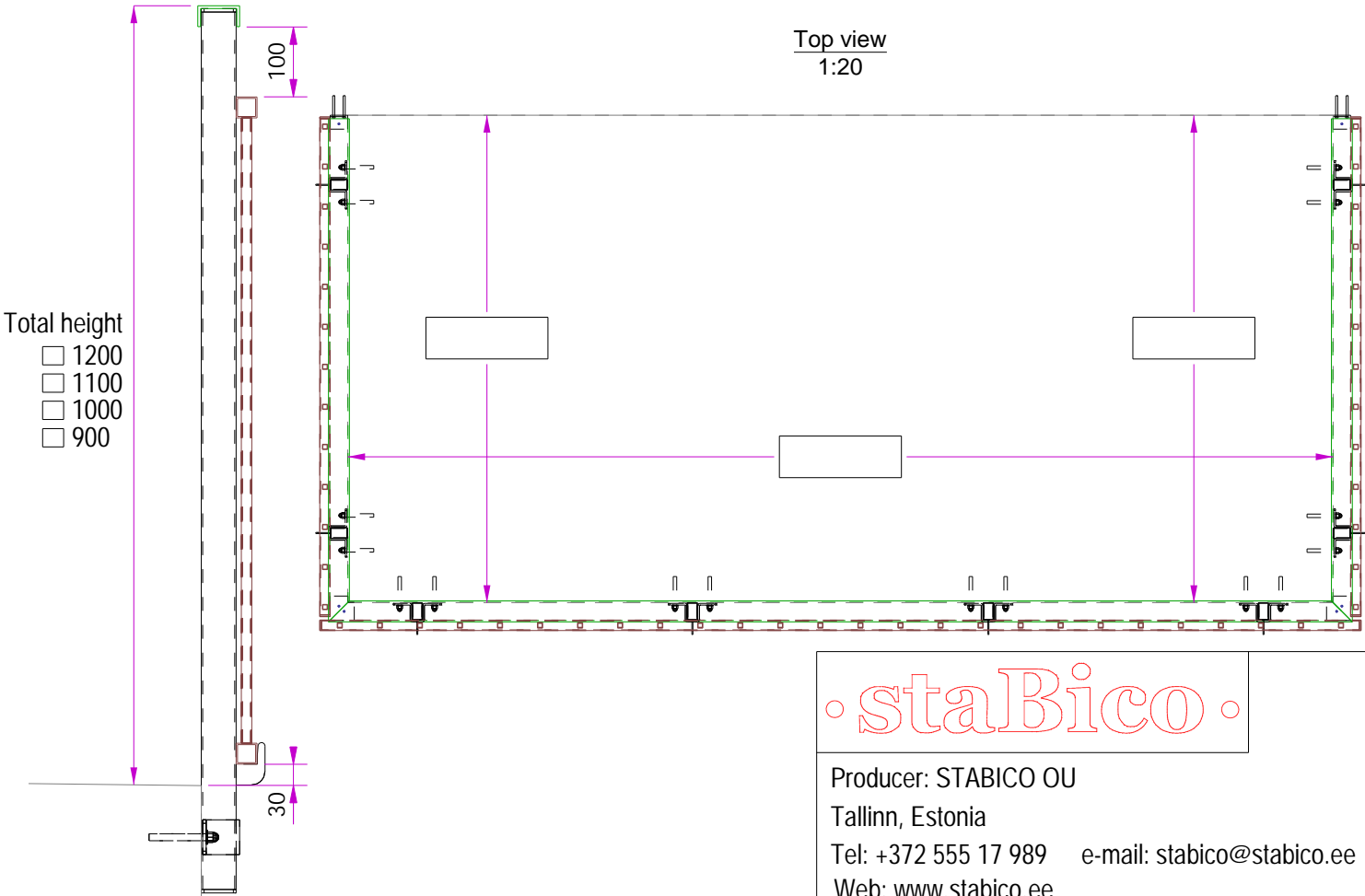
TEMPLATE

ALUMINIUM RAILINGS MP-53.30-2



Side view
1:10

Top view
1:20

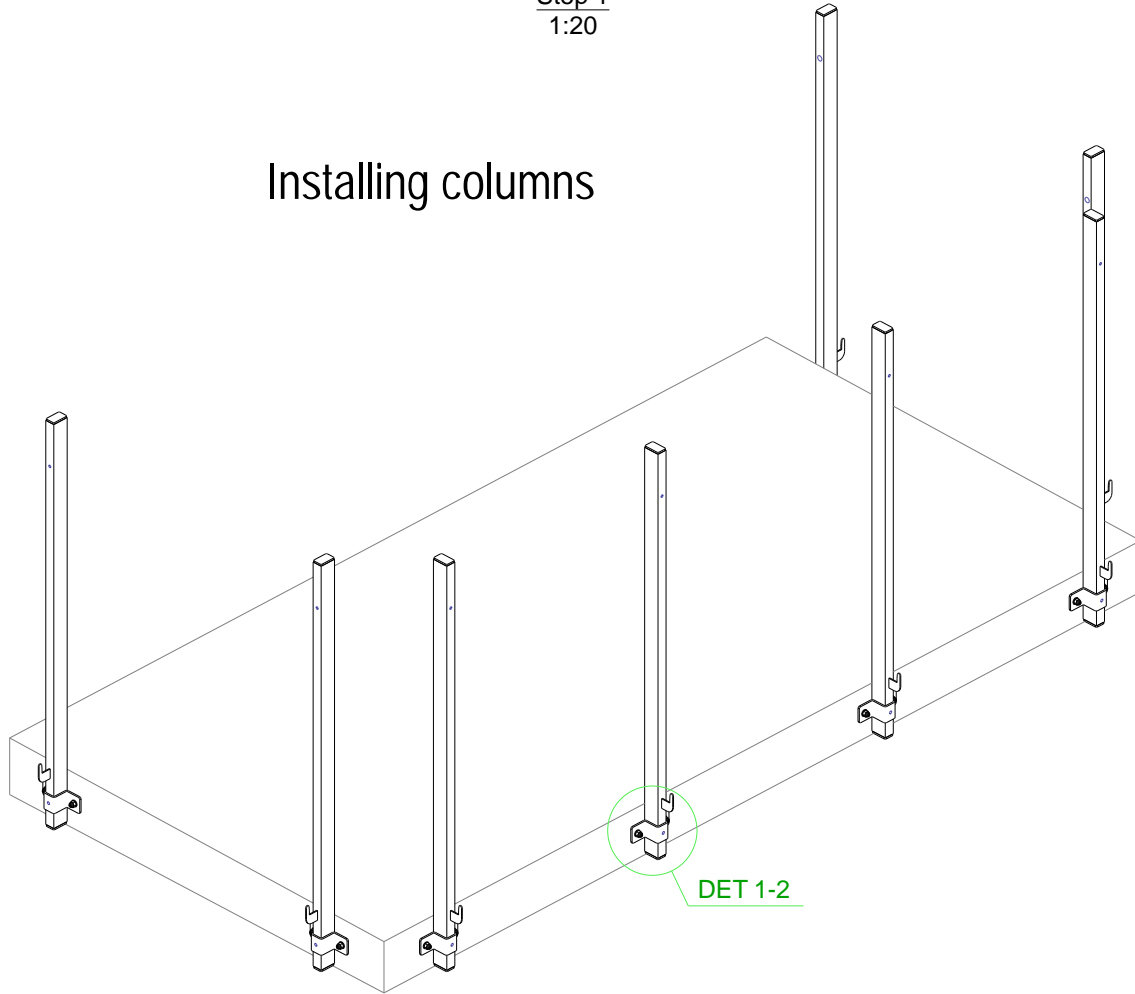


staBico

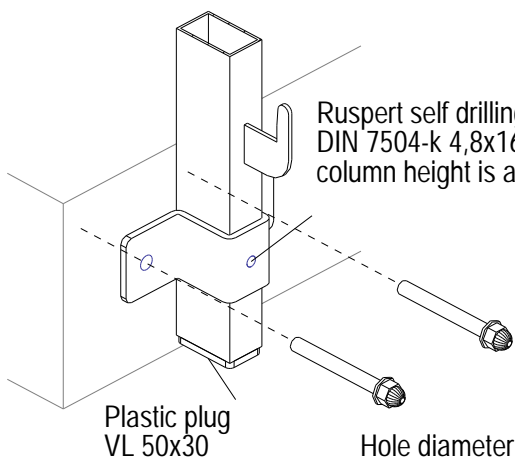
Producer: STABICO OU
 Tallinn, Estonia
 Tel: +372 555 17 989 e-mail: stabico@stabico.ee
 Web: www.stabico.ee

Step 1
1:20

Installing columns



1-2
1:5

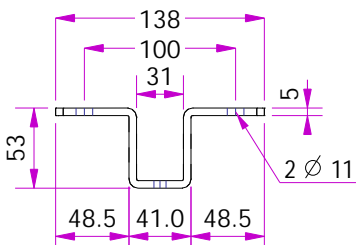


Ruspert self drilling screw
DIN 7504-k 4,8x16 after the
column height is adjusted.

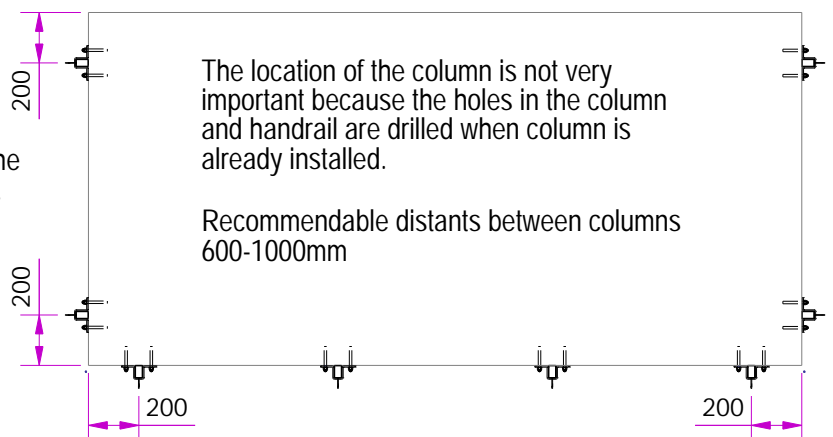
Plastic plug
VL 50x30

Hole diameter 11mm
suitable for Kzn
concrete bolt, anchor
M8 or chemical anchor
(not included)

Clamp top view
1:5



1-1
1:30



The location of the column is not very
important because the holes in the column
and handrail are drilled when column is
already installed.

Recommendable distants between columns
600-1000mm

• staBico •

Producer: STABICO OU

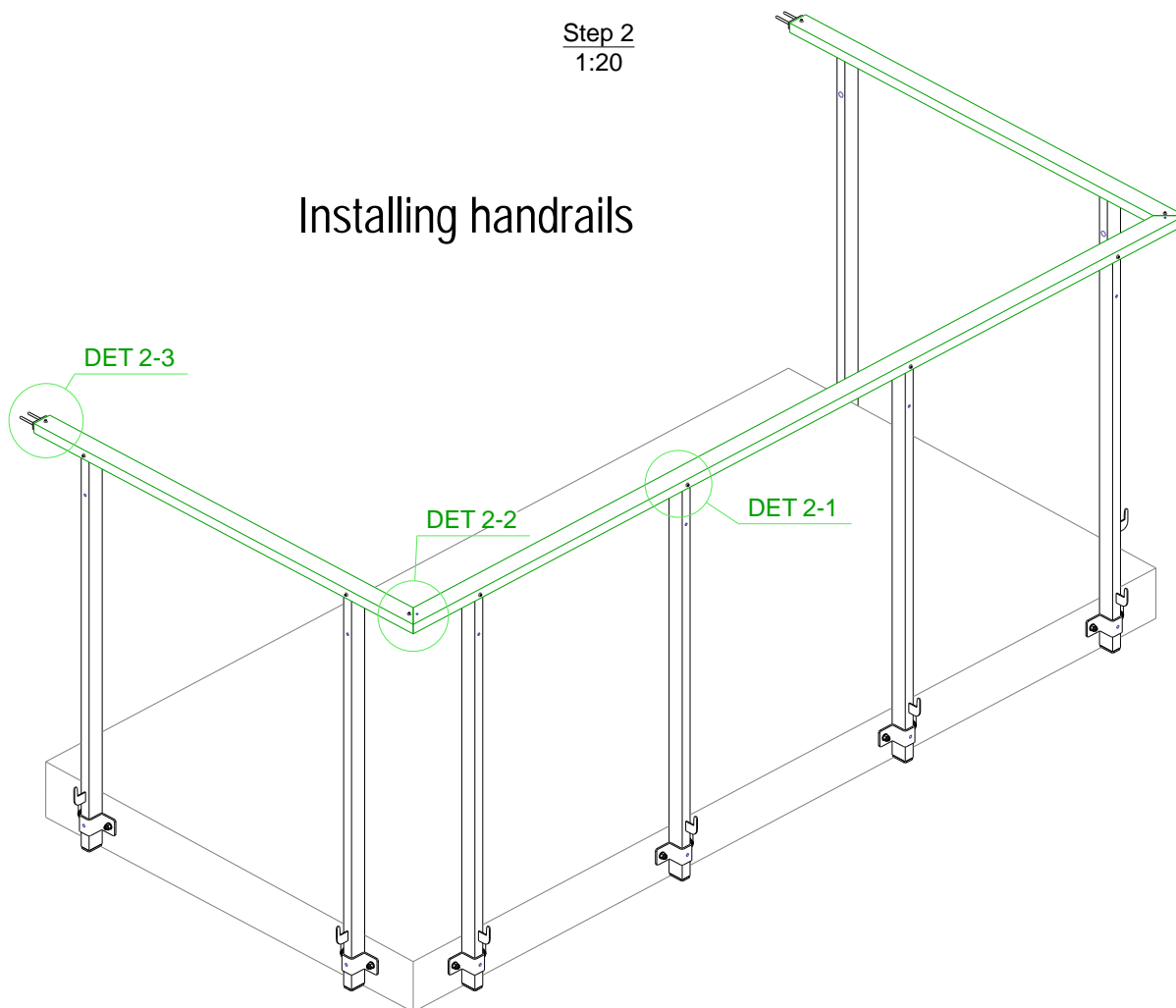
Tallinn, Estonia

Tel: +372 555 17 989 e-mail: stabico@stabico.ee

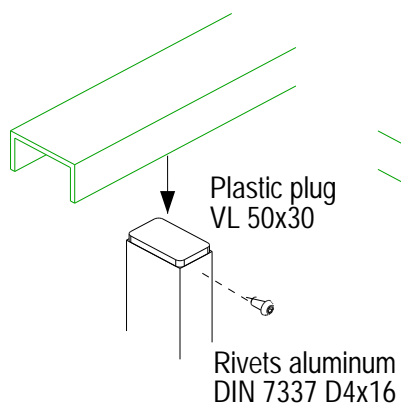
Web: www.stabico.ee

Step 2
1:20

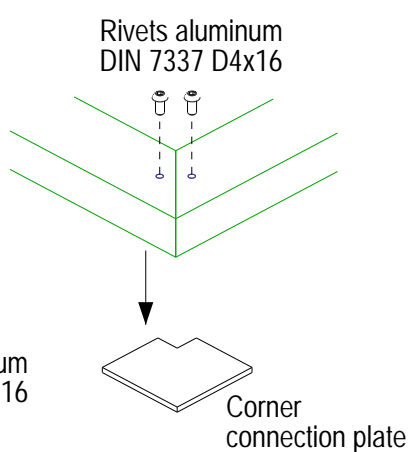
Installing handrails



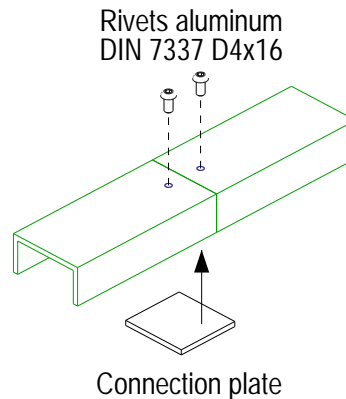
2-1
1:5



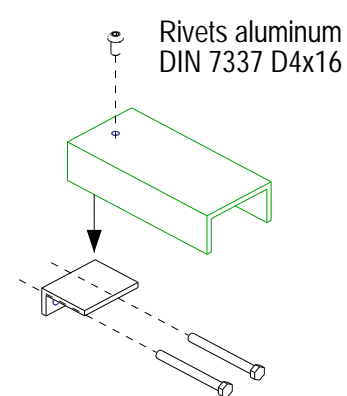
2-2-1
1:5



2-2-2
1:5



2-3
1:5



Handrail will be connected to columns with aluminium rivets, these holes are drilled on site after columns are installed

Fasteners depends on the place where will be attached
(not included)

• staBico •

Producer: STABICO OU

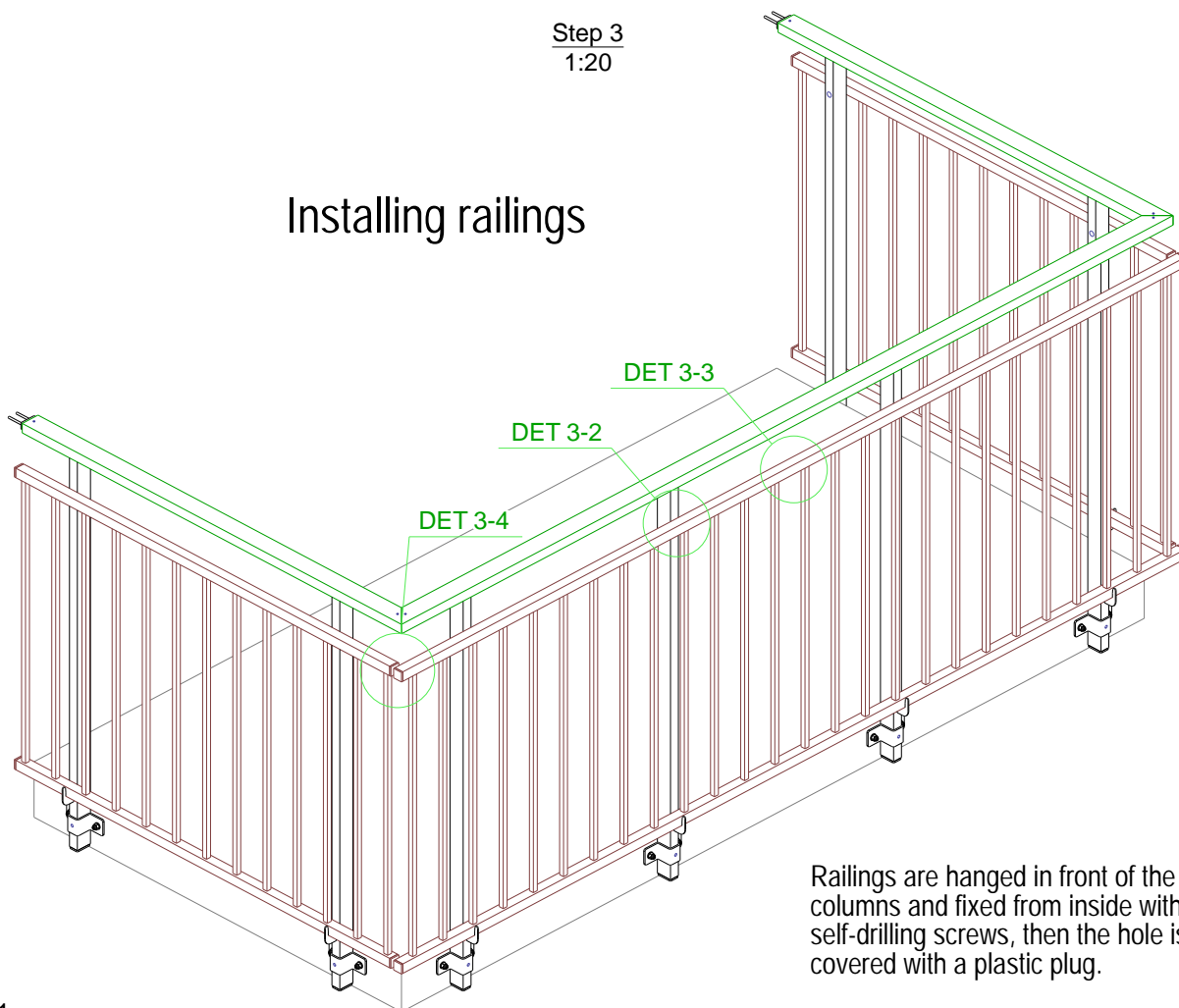
Tallinn, Estonia

Tel: +372 555 17 989 e-mail: stabico@stabico.ee

Web: www.stabico.ee

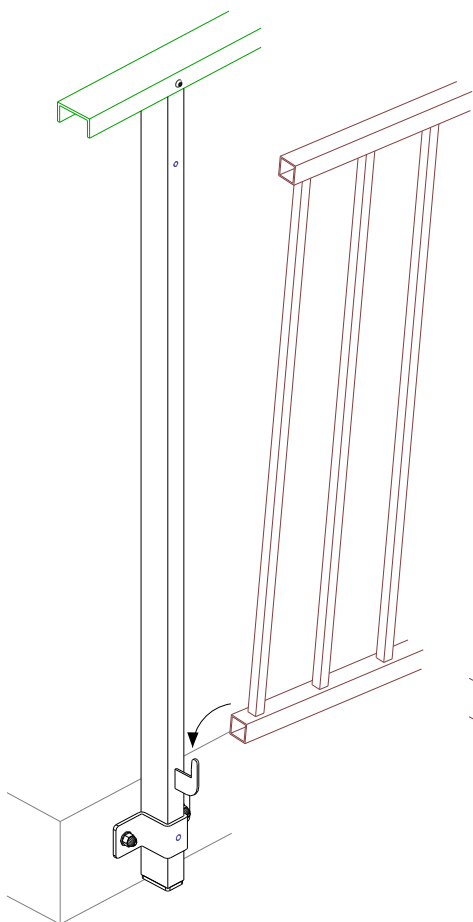
Step 3
1:20

Installing railings

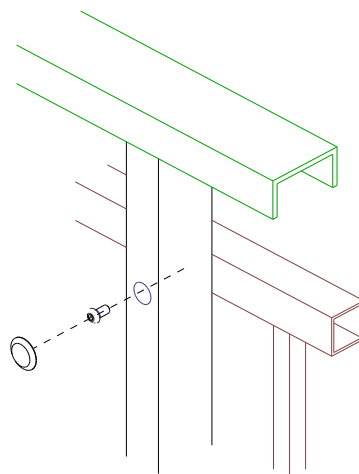


Railings are hung in front of the columns and fixed from inside with self-drilling screws, then the hole is covered with a plastic plug.

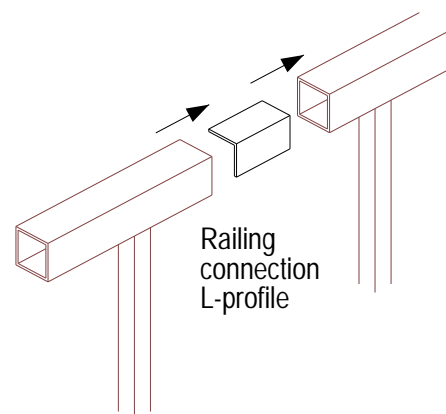
3-1
1:10



3-2
1:5

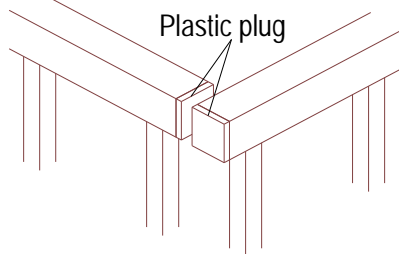


3-3
1:5




Railing connection L-profile

3-4
1:5



Plastic plug

Aluminium profile is fastened with a self-drilling screw Ruspert DIN 7504-k 4,8x16 

• staBico •

Producer: STABICO OU

Tallinn, Estonia

Tel: +372 555 17 989 e-mail: stabico@stabico.ee

Web: www.stabico.ee