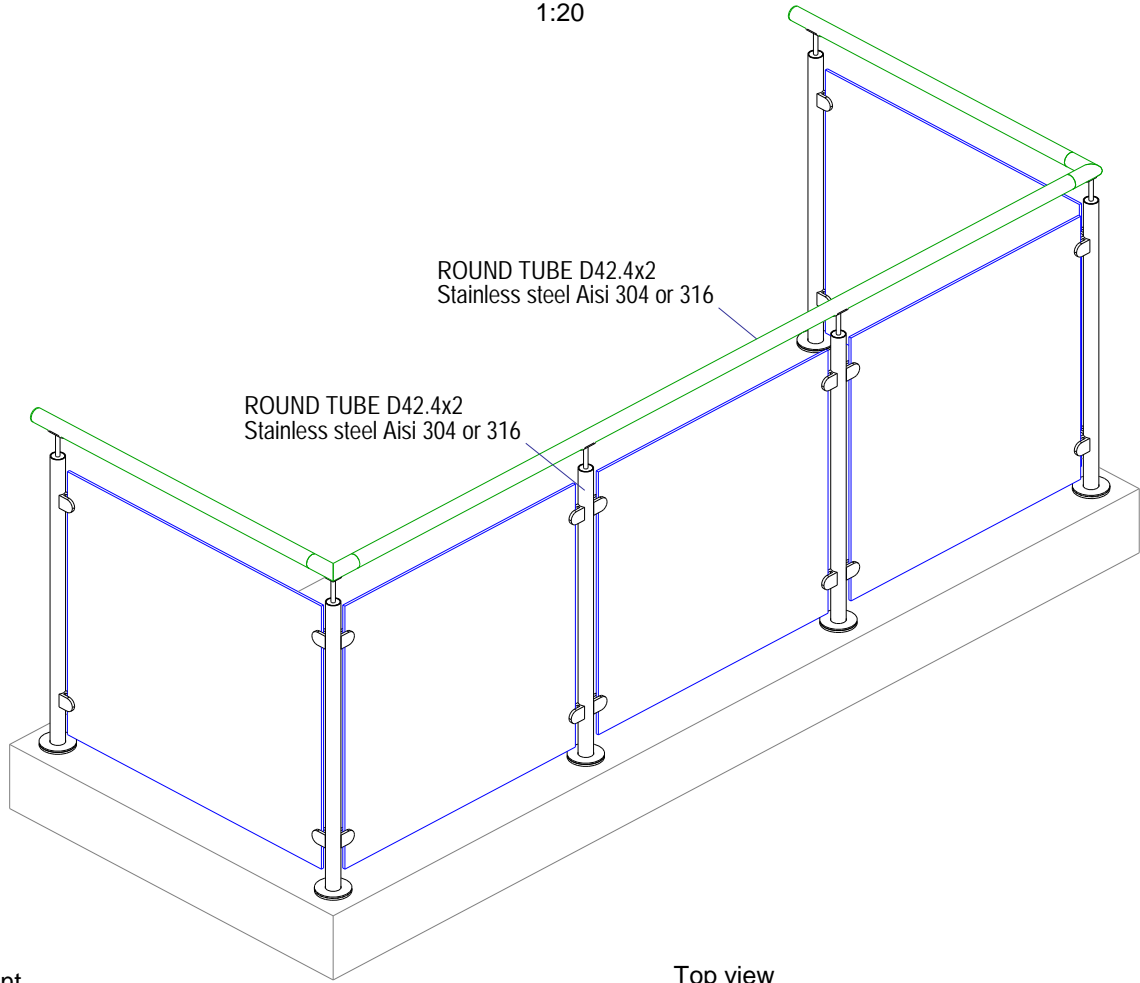


TEMPLATE

GLASS RAILINGS D42412-1

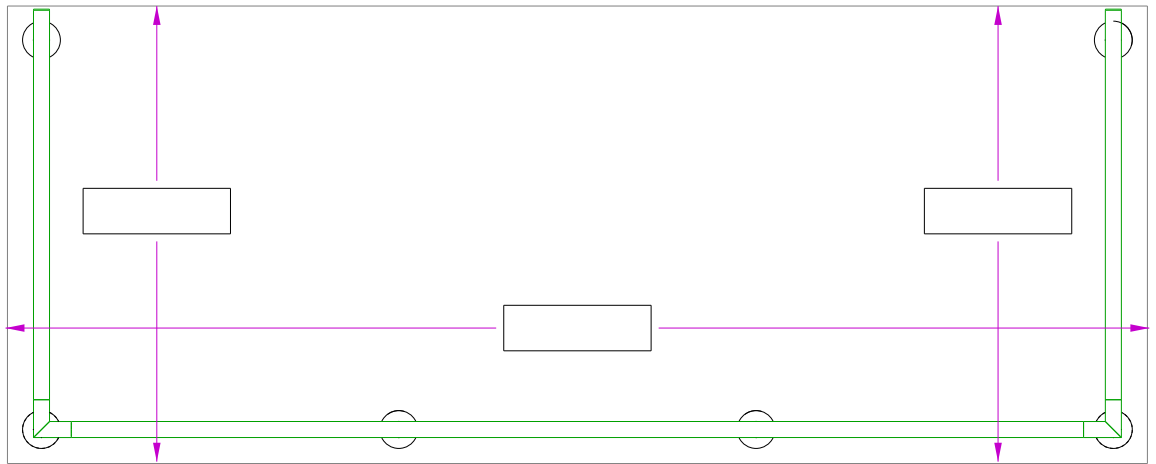
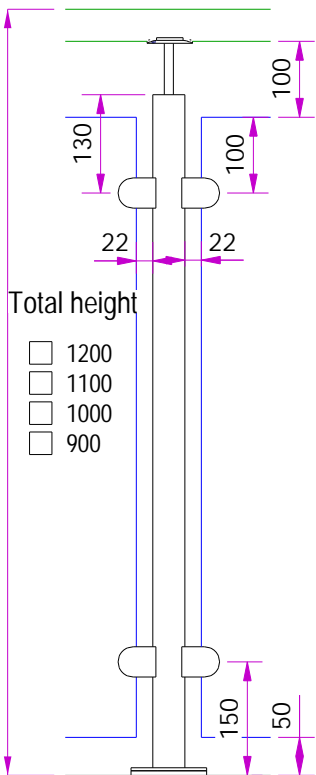
15.01.2018

1:20



Fragment
1:10

Top view
1:20



Glass thickness
1:5

Glasses are regulated by the thickness of the rubber



- t = 6.00mm
- t = 6.75mm
- t = 8.00mm
- t = 8.75mm
- t = 10.00mm
- t = 10.75mm

• staBico •

Producer: STABICO OU

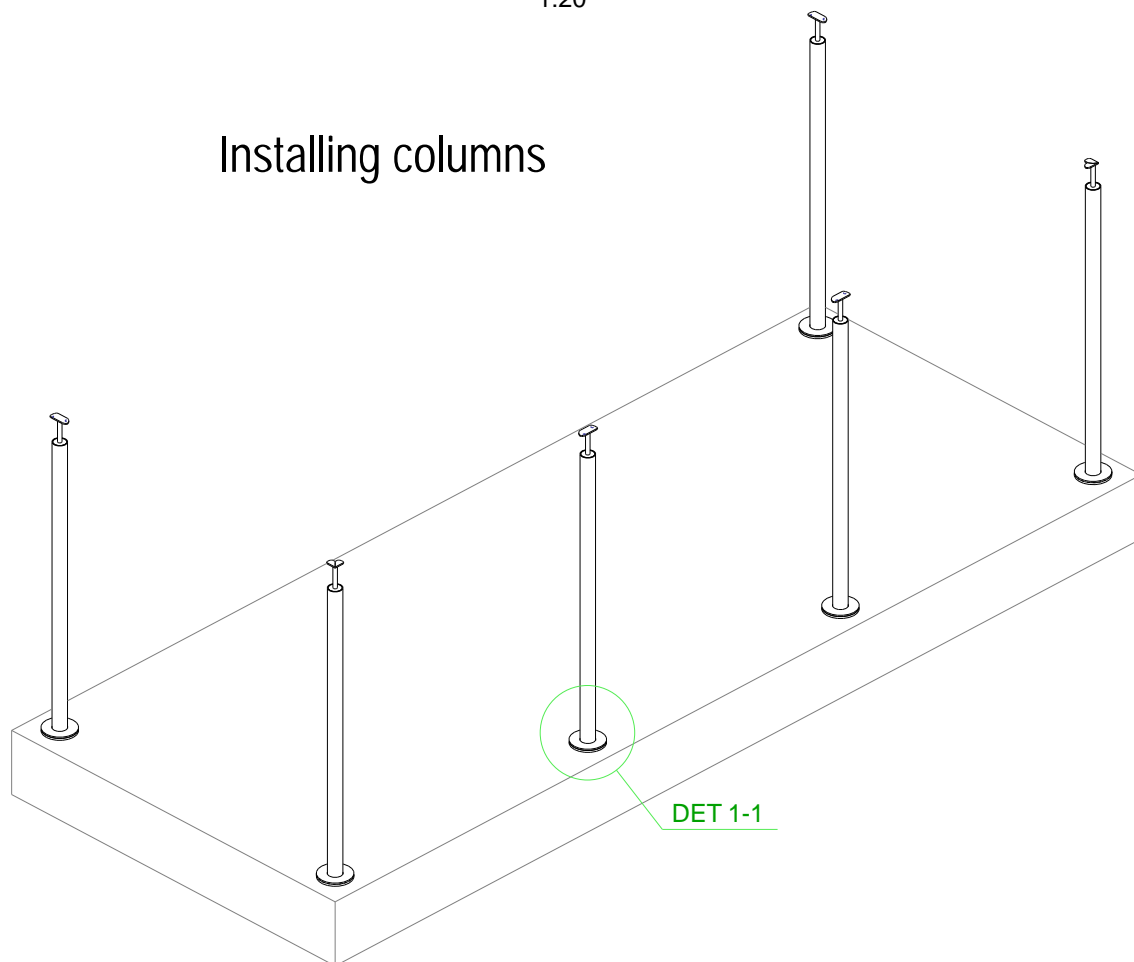
Tallinn, Estonia

Tel: +372 555 17 989 e-mail: stabico@stabico.ee

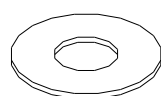
Web: www.stabico.ee

Step 1
1:20

Installing columns

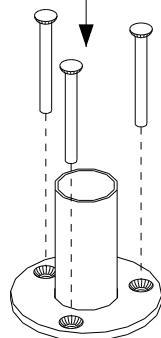


1-1
1:5

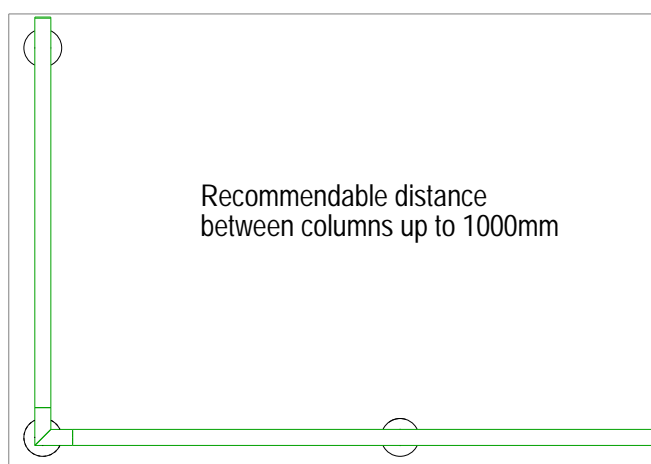


Cover plate

Concrete screw
(not included)



Top view
1:20



• staBico •

Producer: STABICO OU

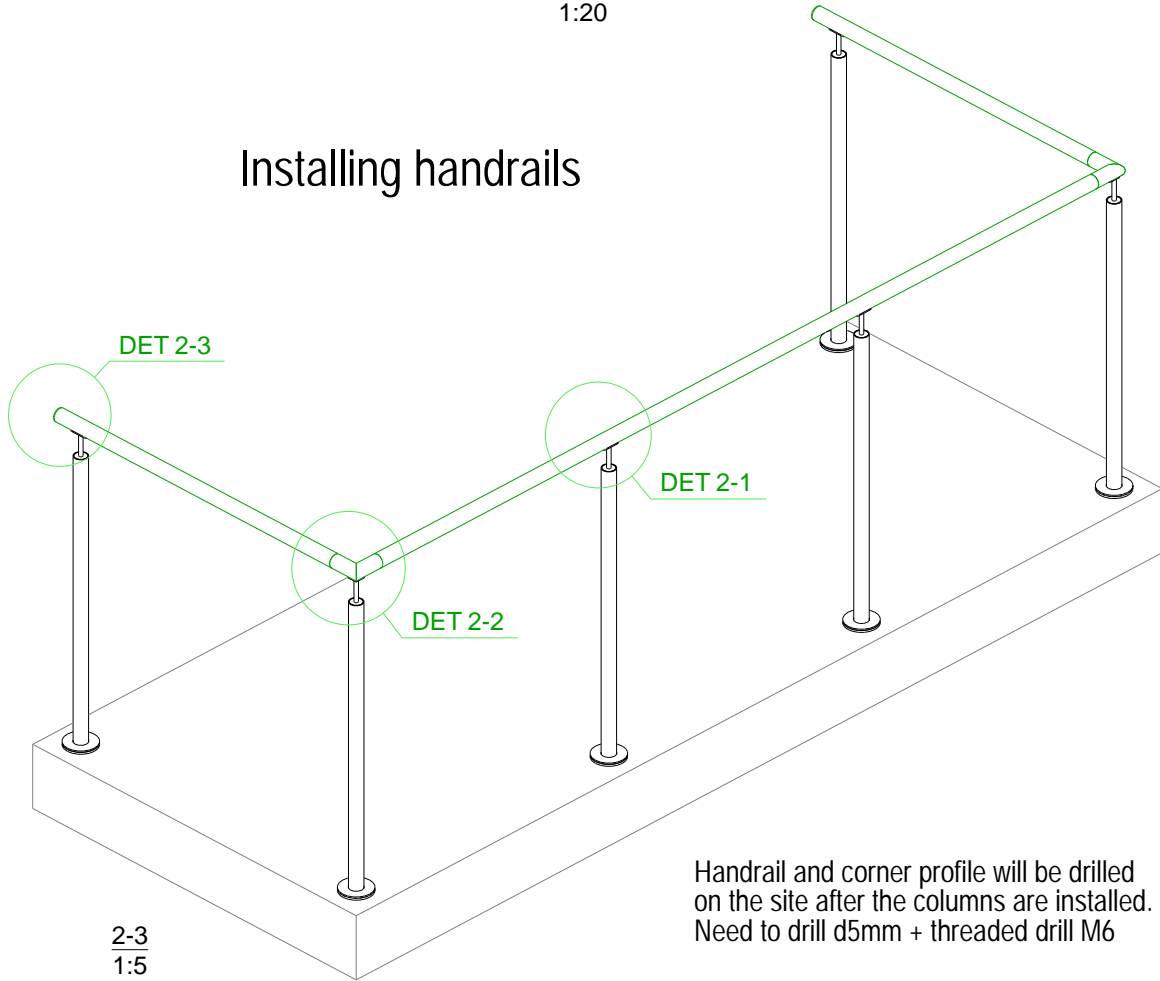
Tallinn, Estonia

Tel: +372 555 17 989 e-mail: stabico@stabico.ee

Web: www.stabico.ee

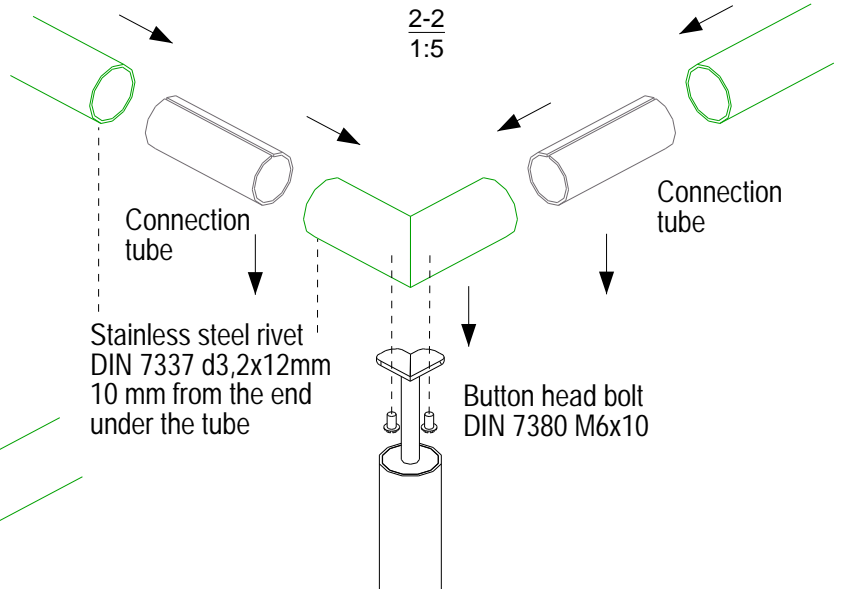
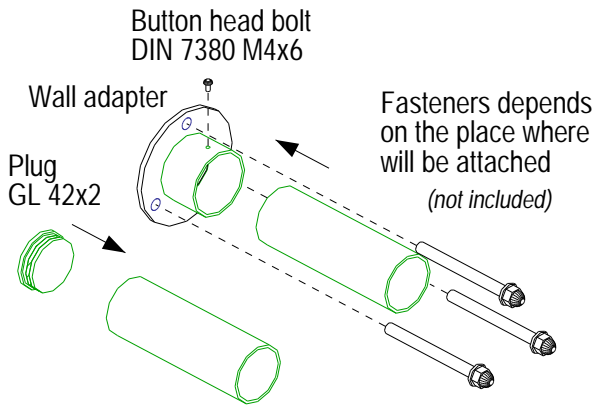
Step 2
1:20

Installing handrails

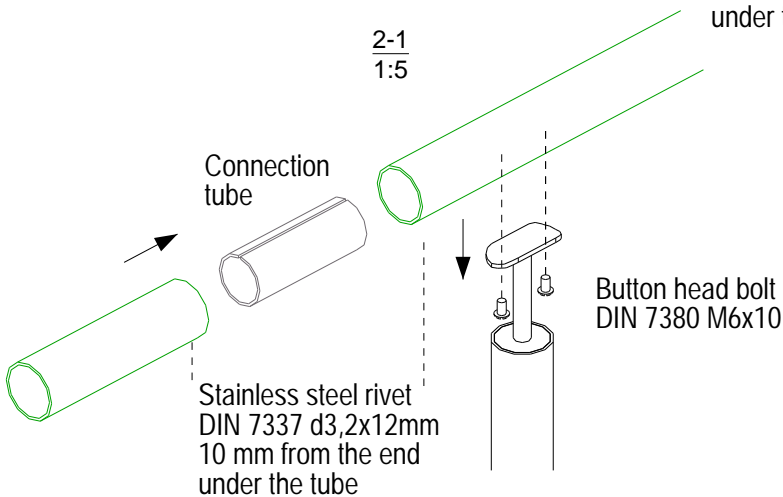


Handrail and corner profile will be drilled on the site after the columns are installed.
Need to drill d5mm + threaded drill M6

2-3
1:5



2-1
1:5



• staBico •

Producer: STABICO OU

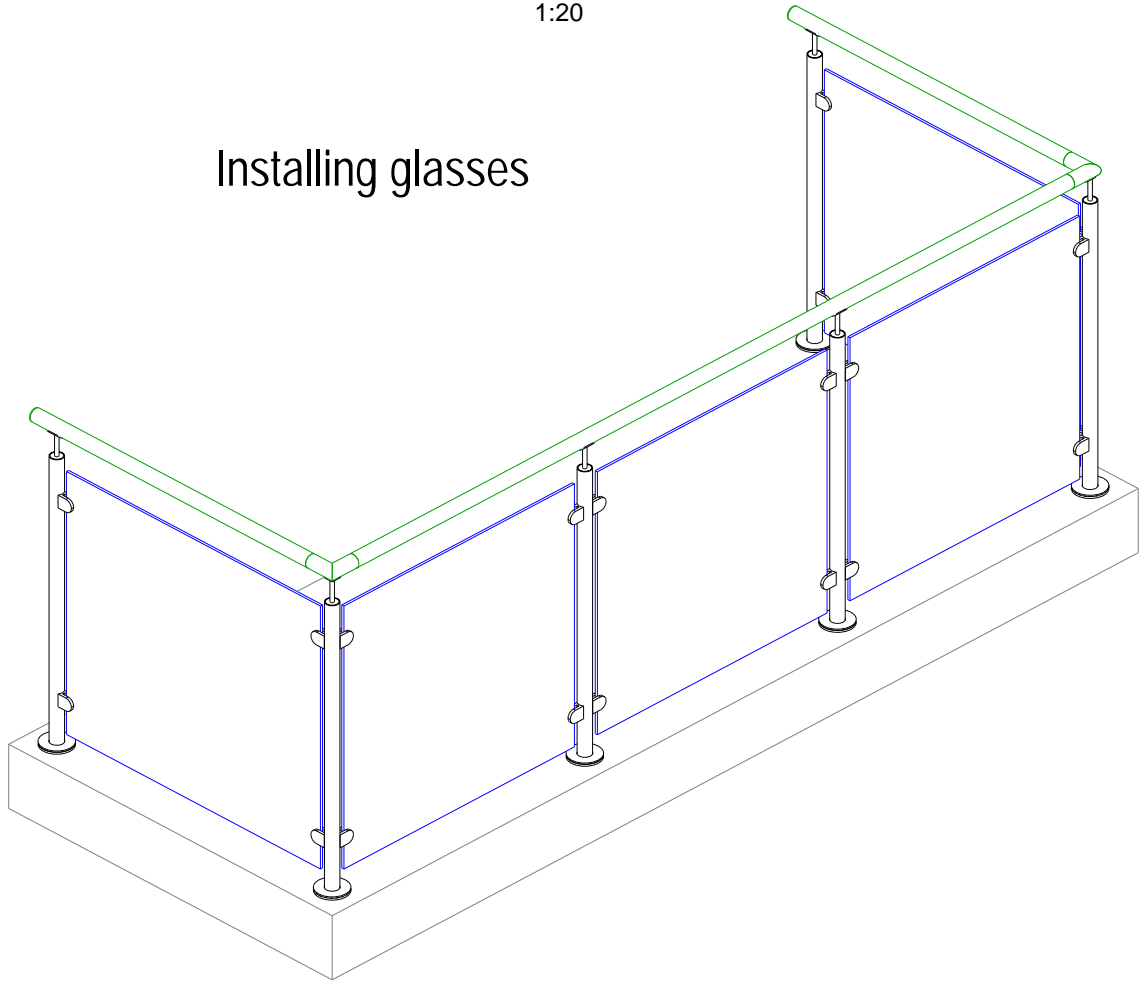
Tallinn, Estonia

Tel: +372 555 17 989 e-mail: stabico@stabico.ee

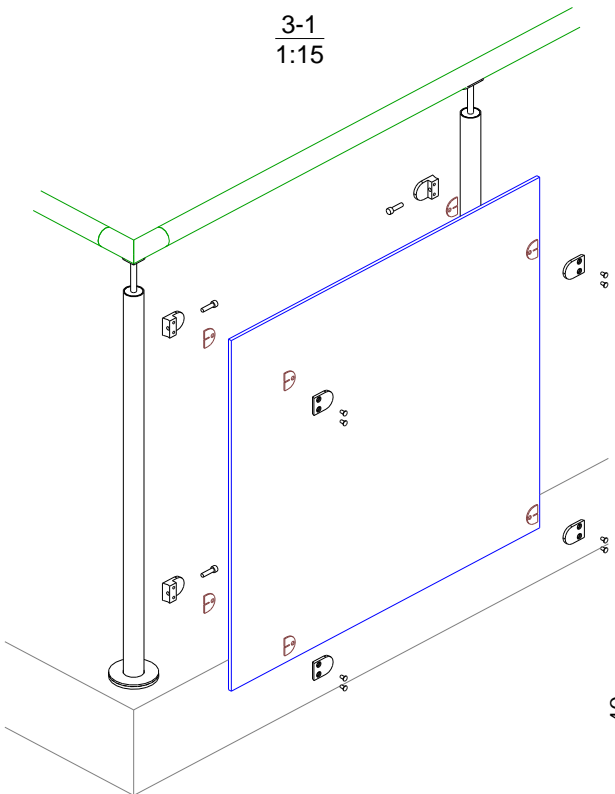
Web: www.stabico.ee

Step 3
1:20

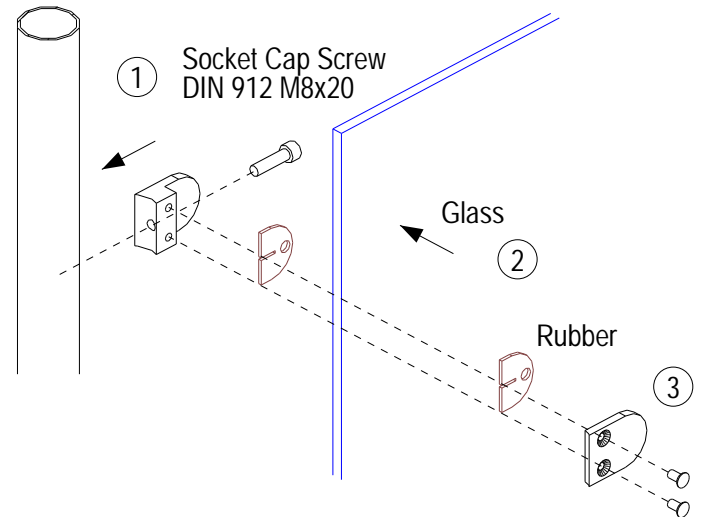
Installing glasses



3-1
1:15



1-5

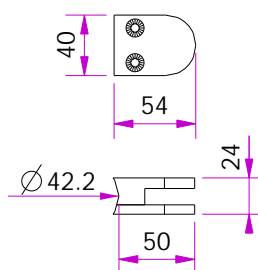


① Socket Cap Screw
DIN 912 M8x20

Glass ②

Rubber ③

Clamp view
1:5



• staBico •

Producer: STABICO OU

Tallinn, Estonia

Tel: +372 555 17 989

e-mail: stabico@stabico.ee

Web: www.stabico.ee