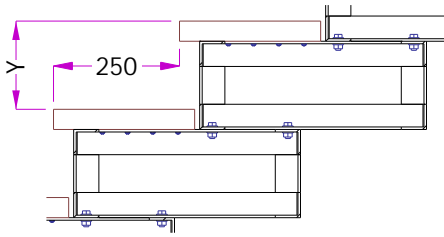


TEMPLATE MODUL STAIR

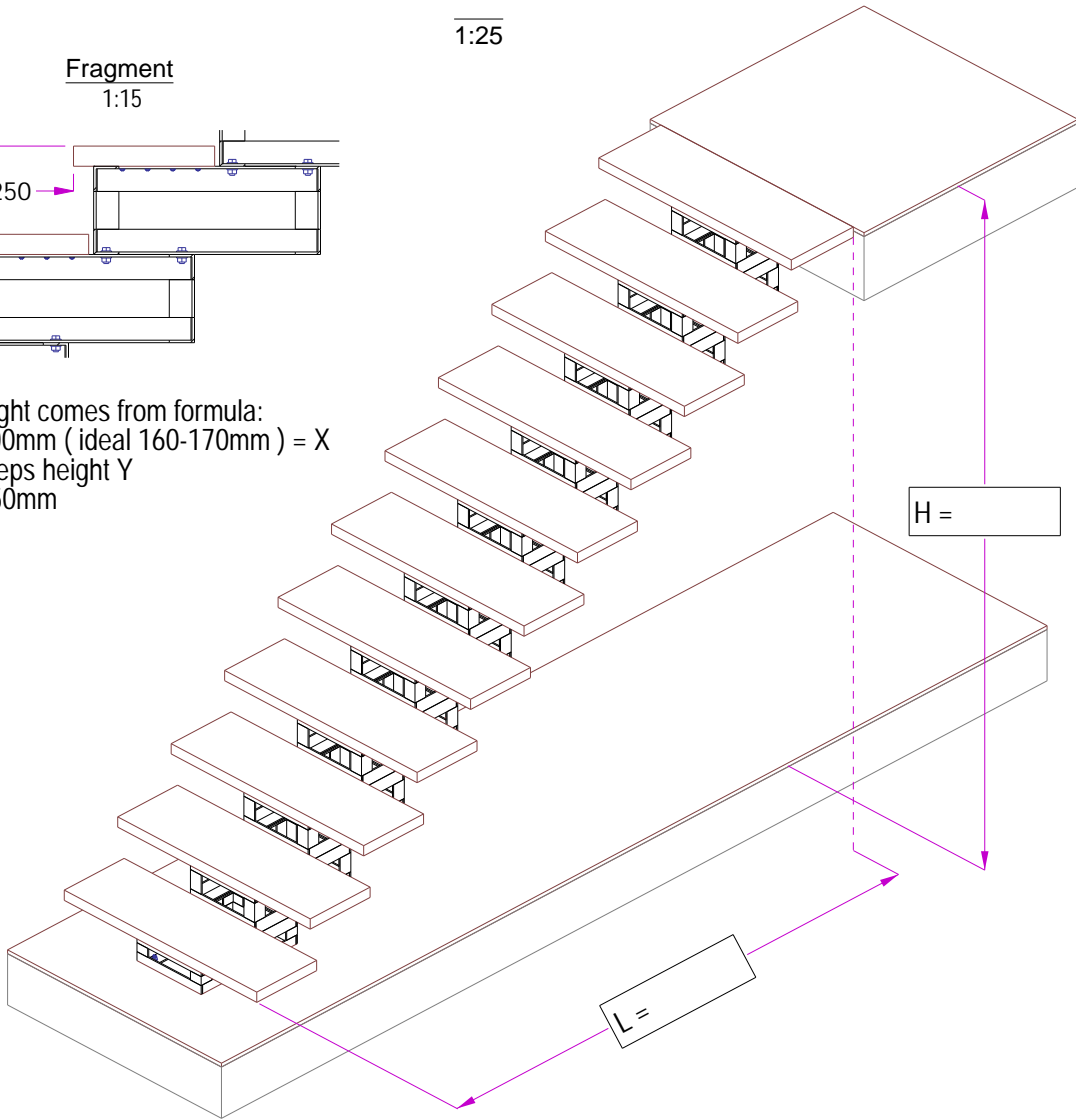
16.02.2018

1:25

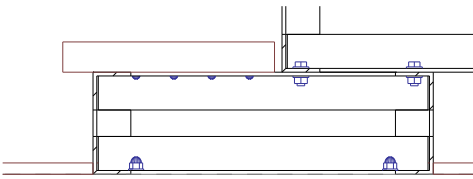
Fragment
1:15



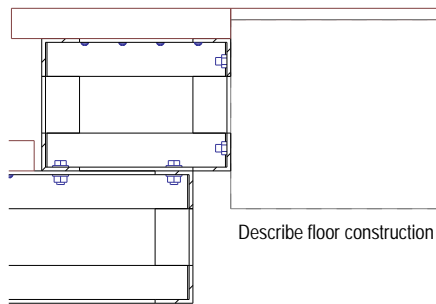
Steps height comes from formula:
 $H : 150-200\text{mm (ideal } 160-170\text{mm)} = X$
 $H : X = \text{steps height } Y$
 $L = X * 250\text{mm}$



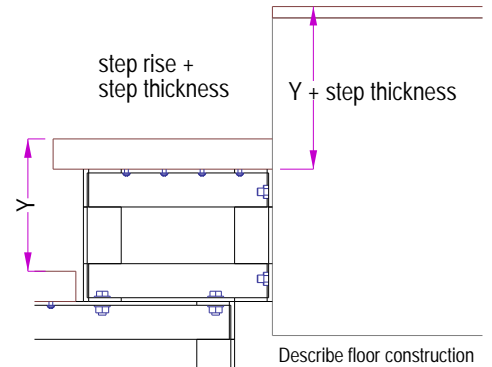
First floor section
1:10



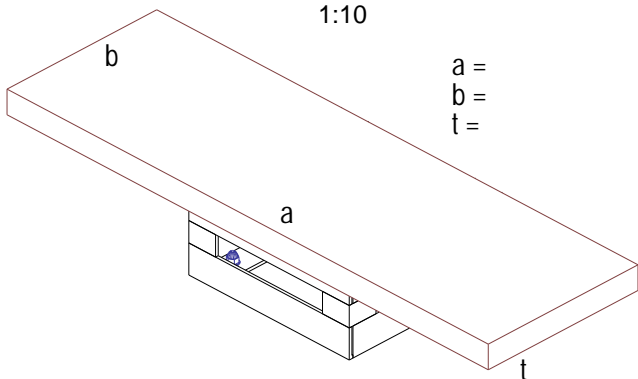
Second floor section v1
1:10



Second floor section v2
1:10



Stair step measures
1:10



• **staBico** •

Producer: STABICO OU

Tallinn, Estonia

Tel: +372 555 17 989 e-mail: stabico@stabico.ee

Web: www.stabico.ee

INSTALLATION MANUAL

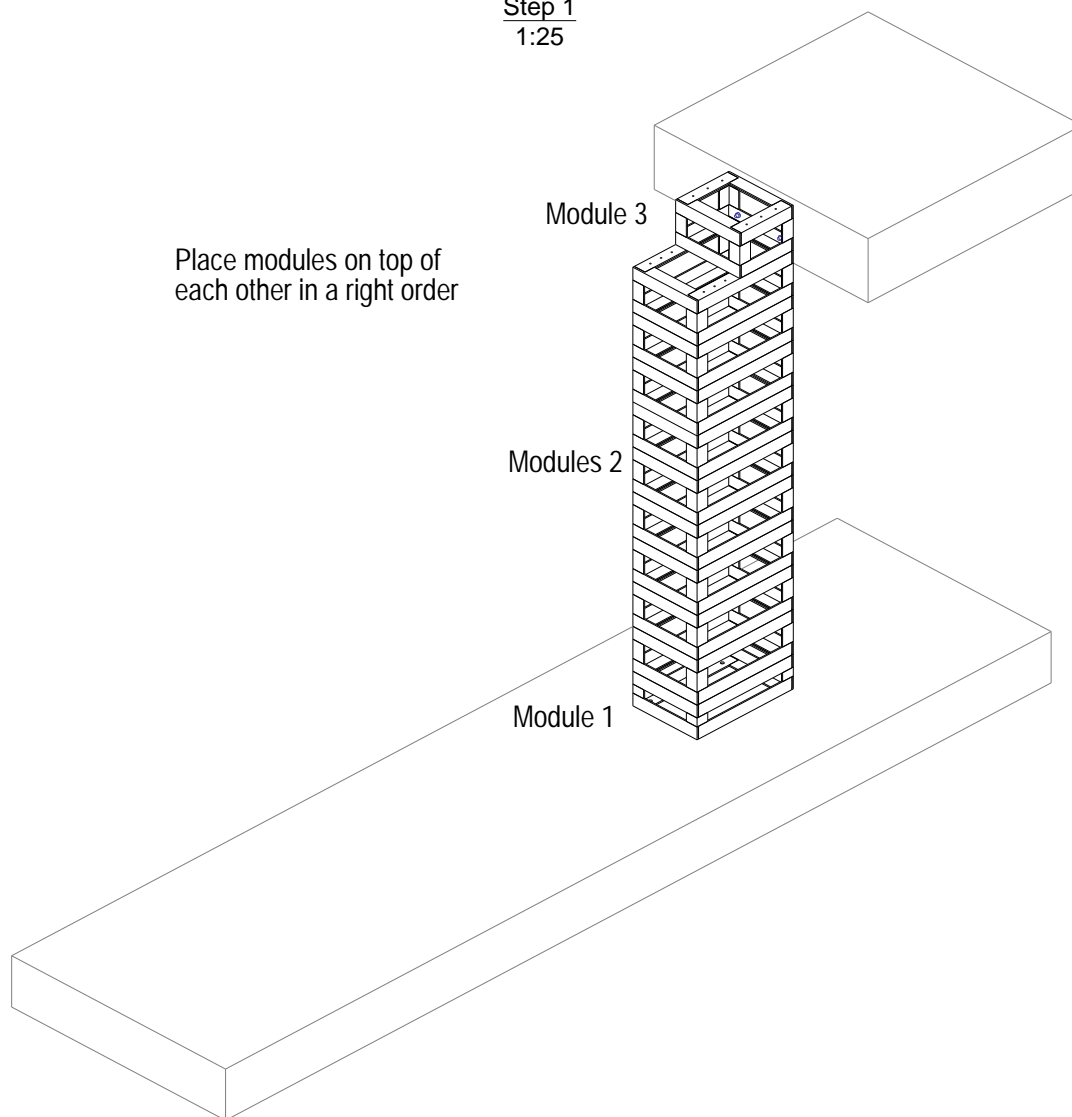
MODUL STAIR

16.02.2018

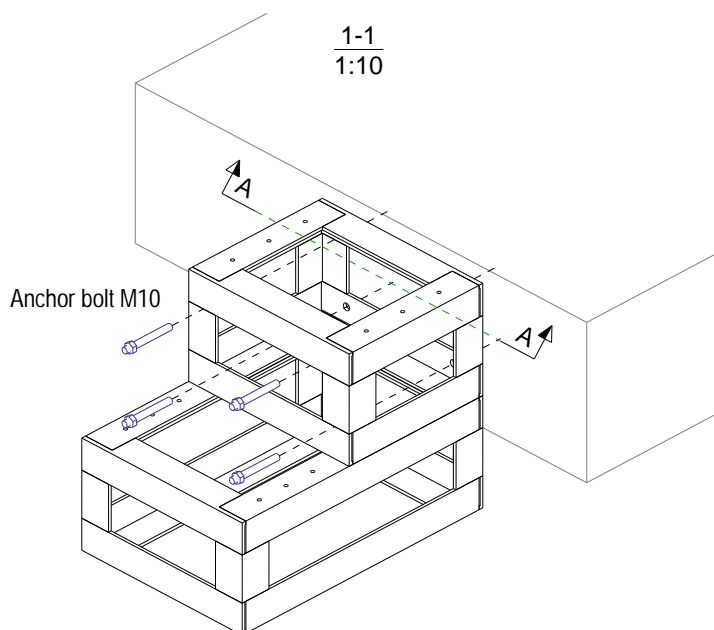
1/5

Step 1
1:25

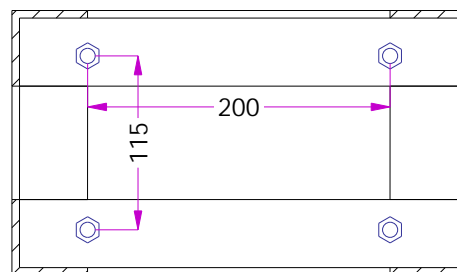
Place modules on top of each other in a right order



1-1
1:10



A - A
1:5



• staBico •

Producer: STABICO OU

Tallinn, Estonia

Tel: +372 555 17 989 e-mail: stabico@stabico.ee

Web: www.stabico.ee

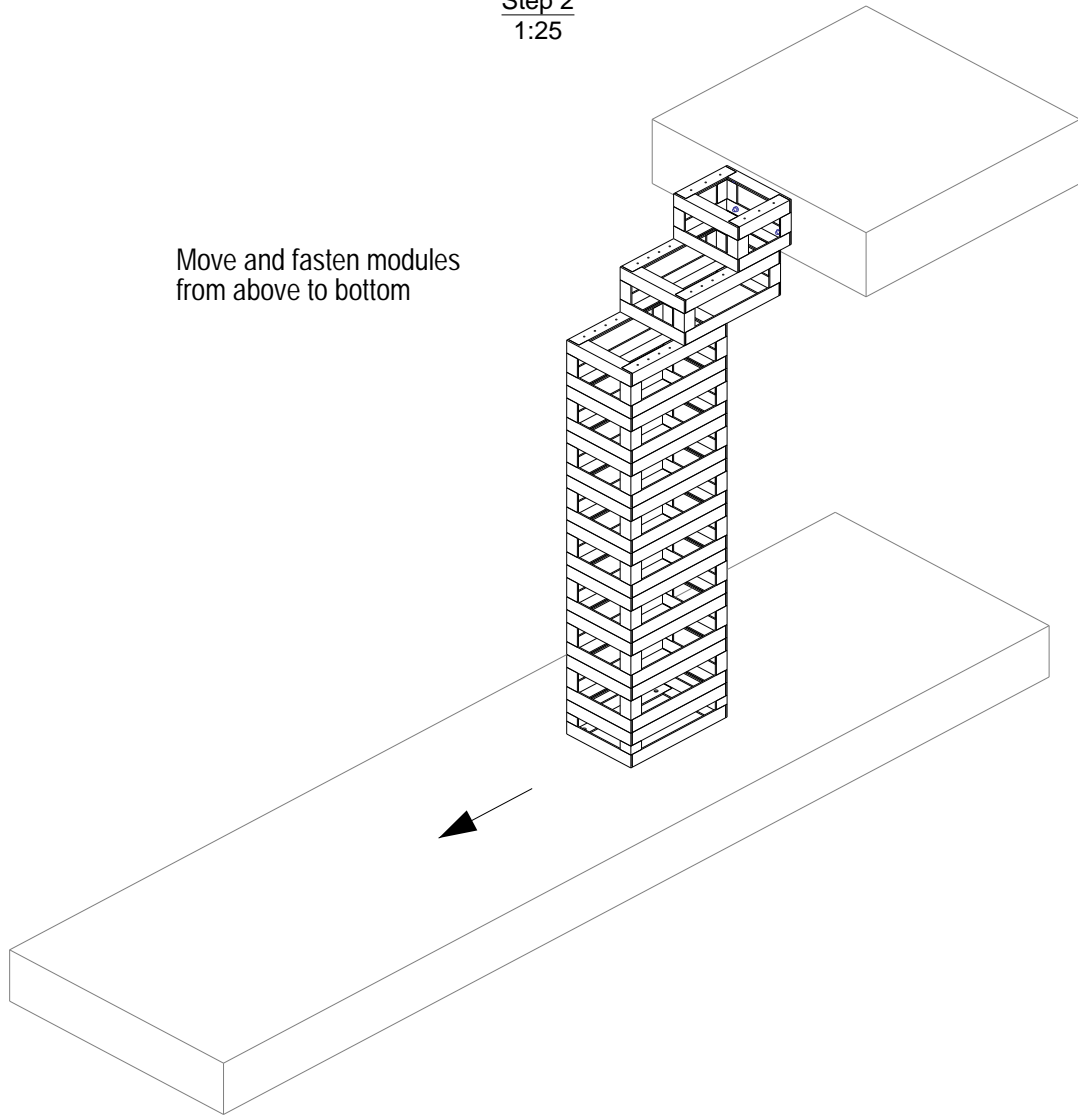
INSTALLATION MANUAL MODUL STAIR

16.02.2018

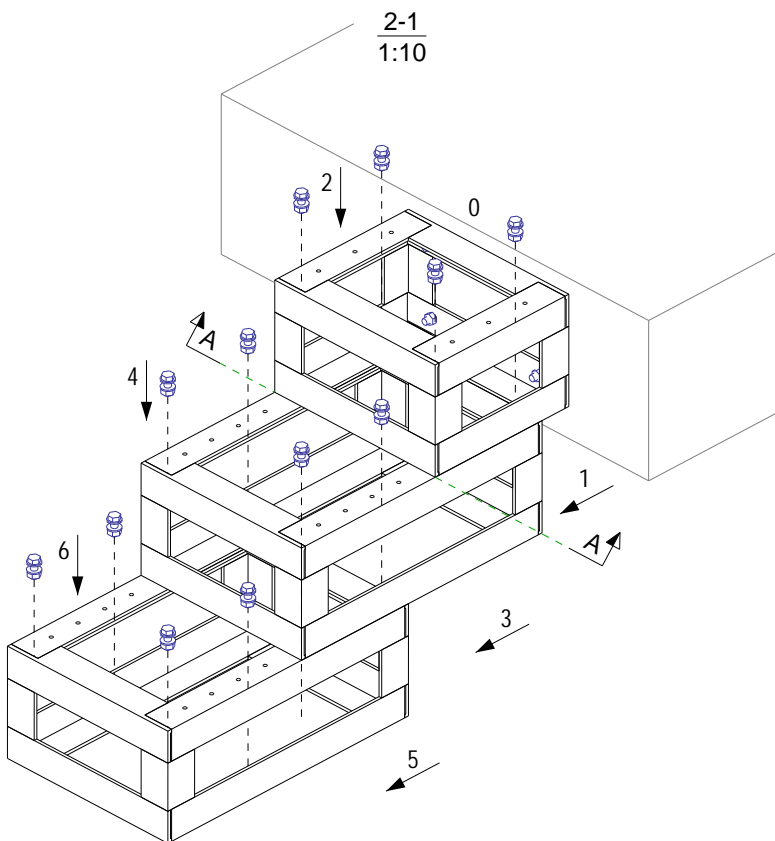
2/5

Step 2
1:25

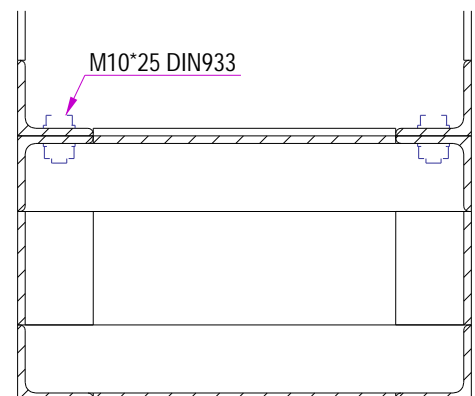
Move and fasten modules
from above to bottom



2-1
1:10



A - A
1:5



• staBico •

Producer: STABICO OU

Tallinn, Estonia

Tel: +372 555 17 989 e-mail: stabico@stabico.ee

Web: www.stabico.ee

INSTALLATION MANUAL

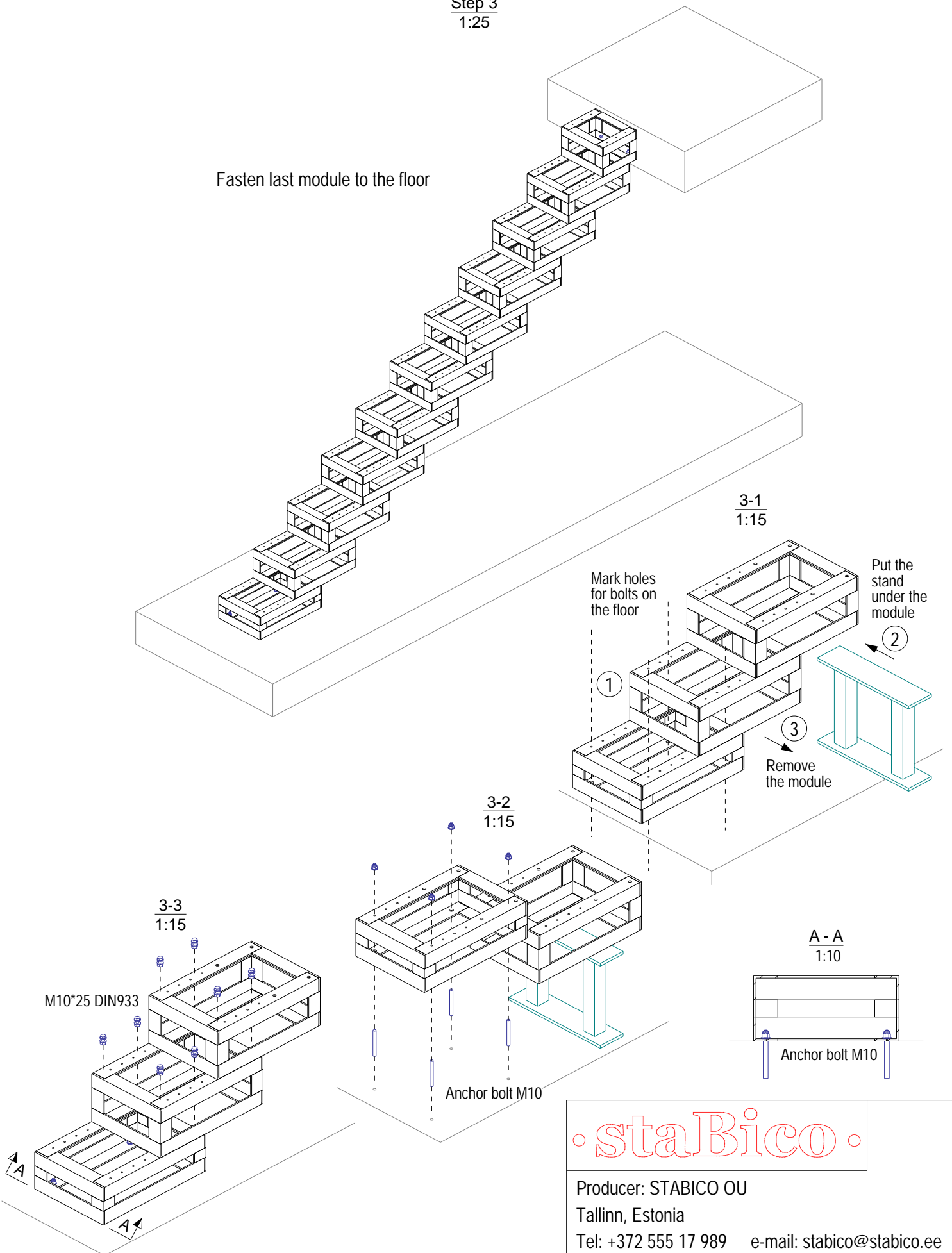
MODUL STAIR

16.02.2018

3/5

Step 3
1:25

Fasten last module to the floor



• staBico •

Producer: STABICO OU

Tallinn, Estonia

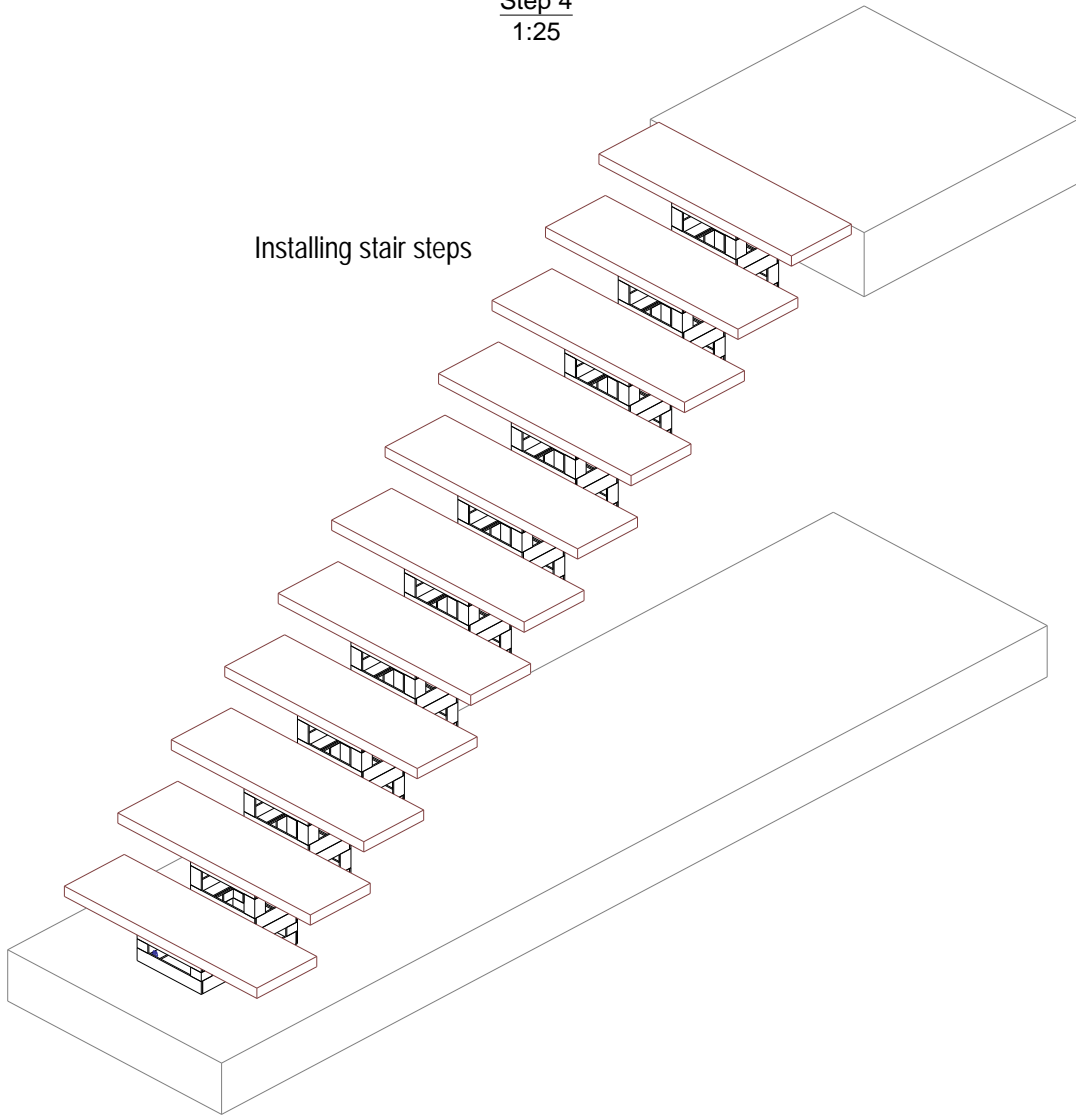
Tel: +372 555 17 989

e-mail: stabico@stabico.ee

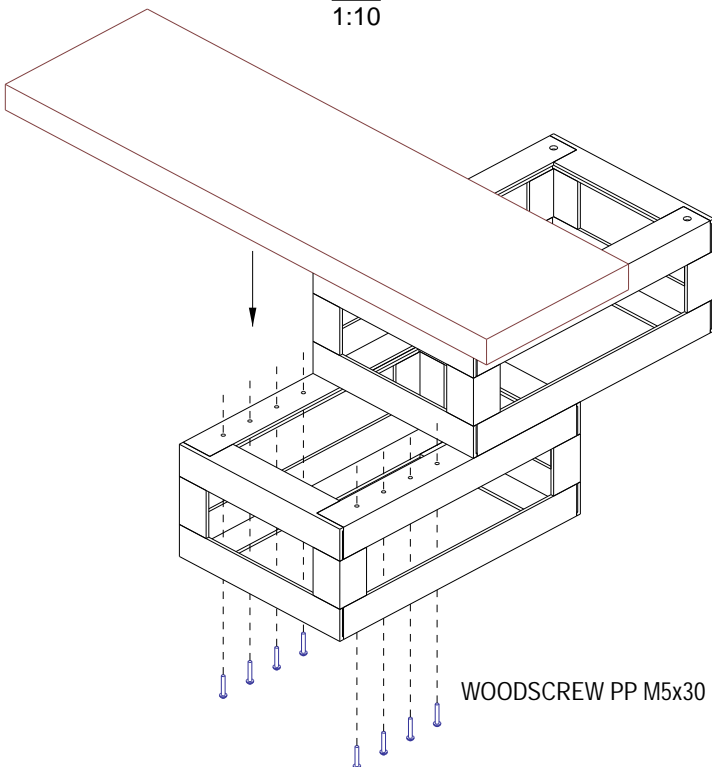
Web: www.stabico.ee

Step 4
1:25

Installing stair steps

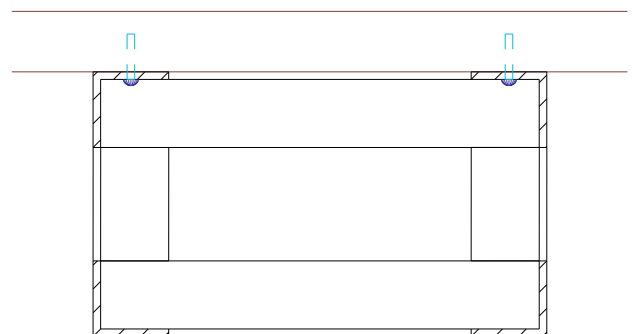


4-1
1:10



WOODSCREW PP M5x30

A - A
1:5



• staBico •

Producer: STABICO OU

Tallinn, Estonia

Tel: +372 555 17 989

e-mail: stabico@stabico.ee

Web: www.stabico.ee

LIST OF FASTENERS MODUL STAIR

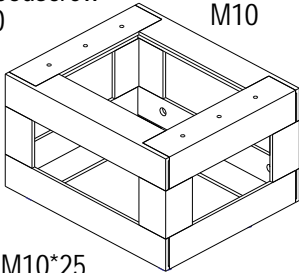
16.02.2018

5/5

Module 3
1:10

8 x Woodscrew
M5x30

4 x Anchor bolt
M10



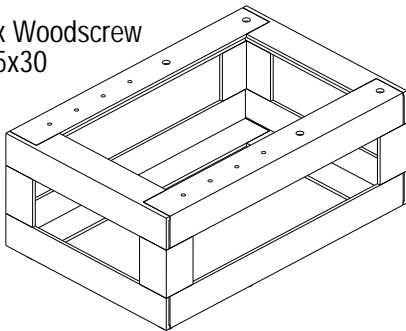
4 x M10*25
DIN933

	Quantity in one module	Required modules	Total	Included/ Not included
Anchor bolt M10	4			
M10*25 DIN933	4			
Woodscrew M5x30	8			

Module 2
1:10

8 x Woodscrew
M5x30

4 x M10*25
DIN933

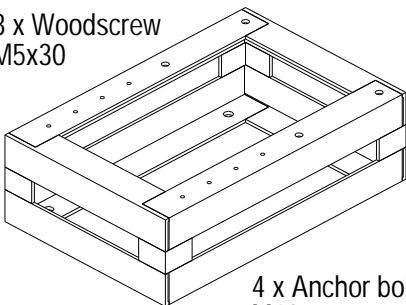


	Quantity in one module	Required modules	Total	Included/ Not included
Anchor bolt M10	-			
M10*25 DIN933	4			
Woodscrew M5x30	8			

Module 1
1:10

8 x Woodscrew
M5x30

4 x M10*25
DIN933



4 x Anchor bolt
M10

	Quantity in one module	Required modules	Total	Included/ Not included
Anchor bolt M10	4			
M10*25 DIN933	4			
Woodscrew M5x30	8			

Total

Anchor bolt 10/10

M10*25 DIN933

Woodscrew M5x30

• staBico •

Producer: STABICO OU

Tallinn, Estonia

Tel: +372 555 17 989 e-mail: stabico@stabico.ee

Web: www.stabico.ee