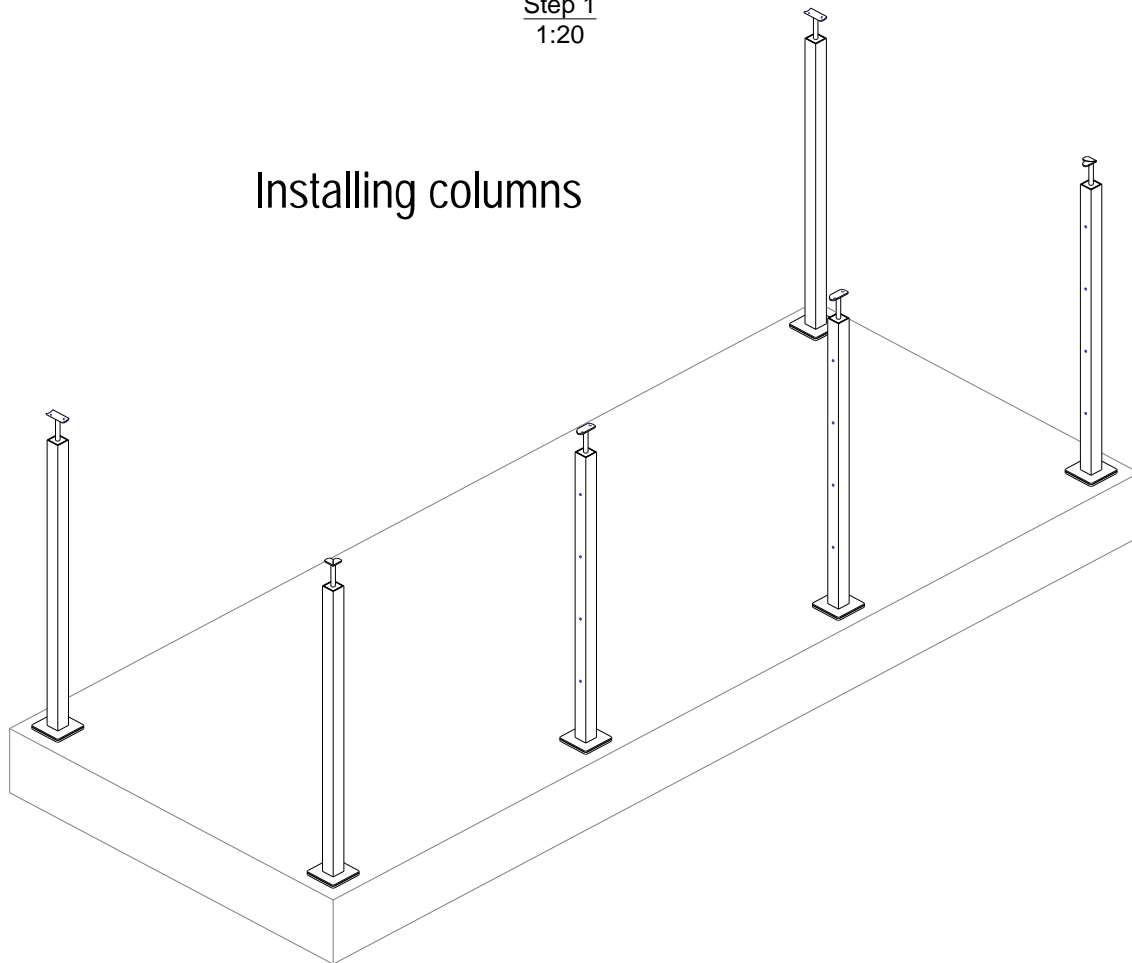
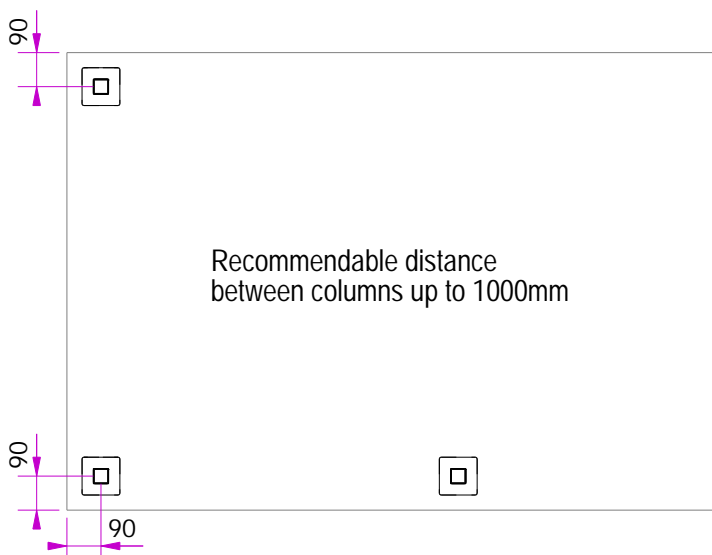


Step 1
1:20

Installing columns



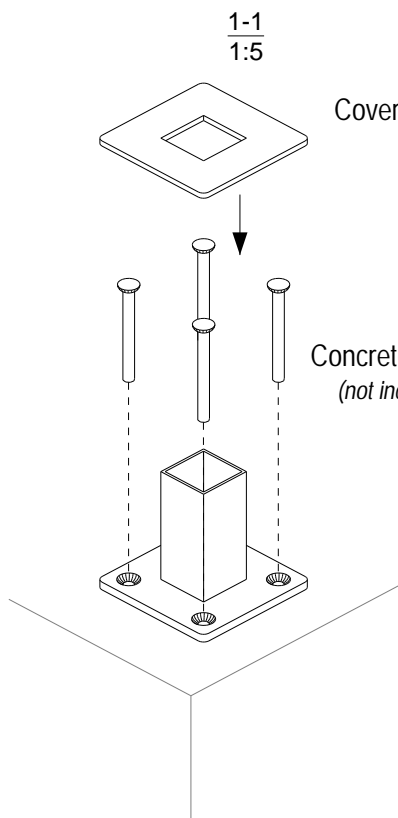
Top view
1:20



1-1
1:5

Cover plate

Concrete screw
(not included)



• staBico •

Producer: STABICO OU

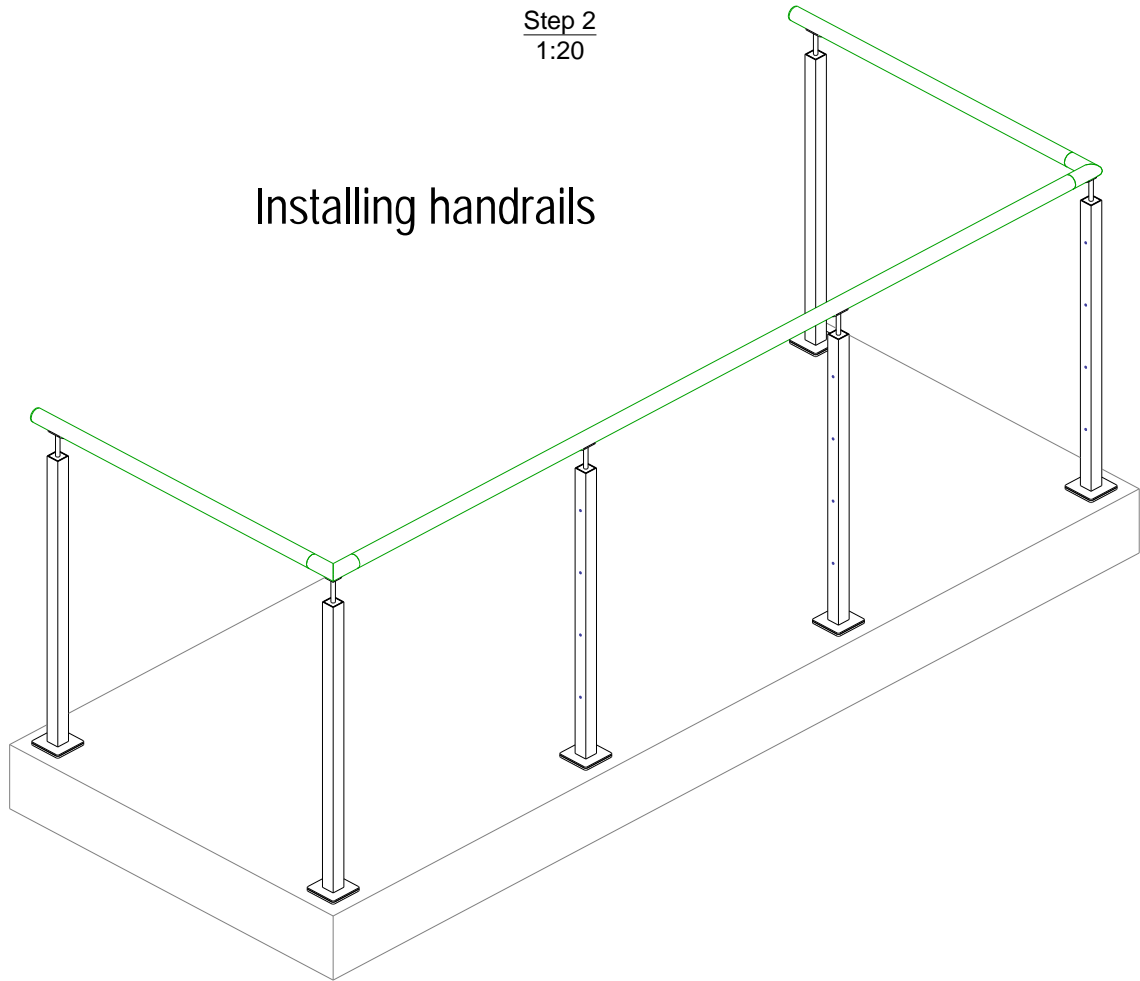
Tallinn, Estonia

Tel: +372 555 17 989 e-mail: stabico@stabico.ee

Web: www.stabico.ee

Step 2
1:20

Installing handrails



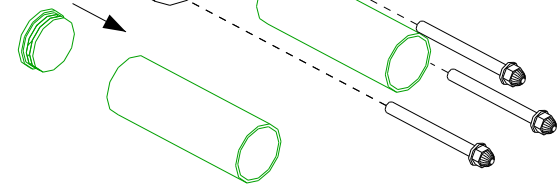
2-3
1:5

Button head bolt
DIN 7380 M4x6

Wall adapter

Plug
GL 42x2

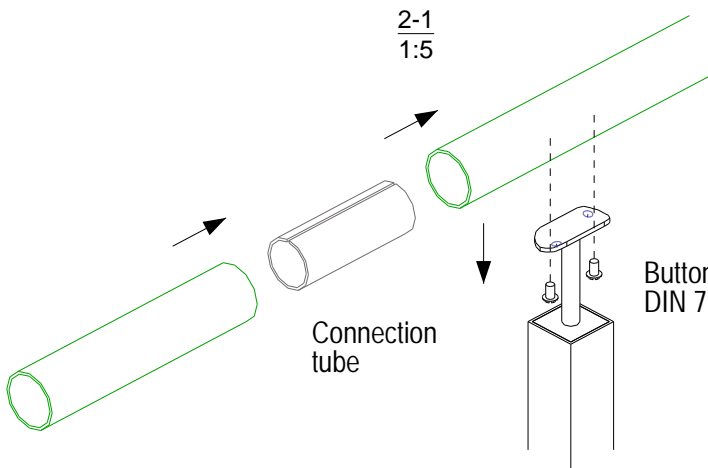
Fasteners depends
on the place where
will be attached
(not included)



2-1
1:5

Connection
tube

Button head bolt
DIN 7380 M6x10

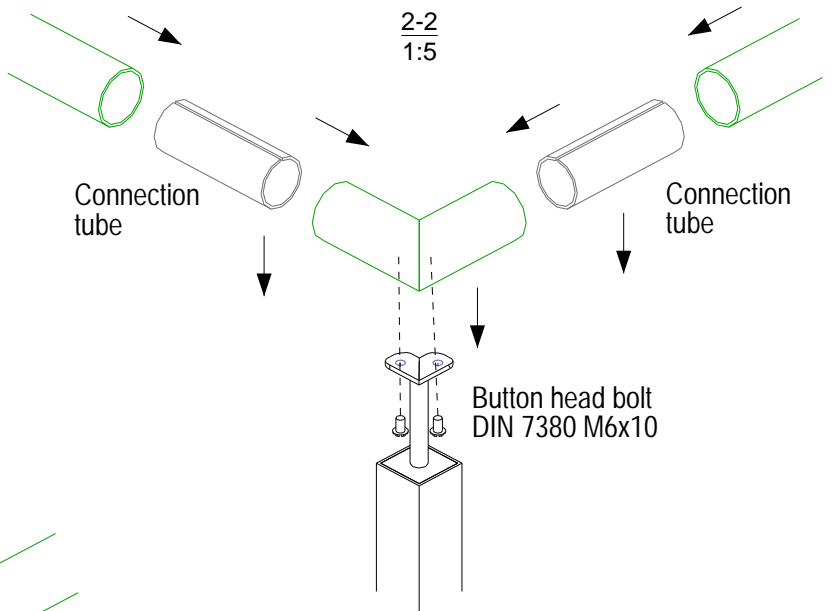


2-2
1:5

Connection
tube

Connection
tube

Button head bolt
DIN 7380 M6x10



• staBico •

Producer: STABICO OU

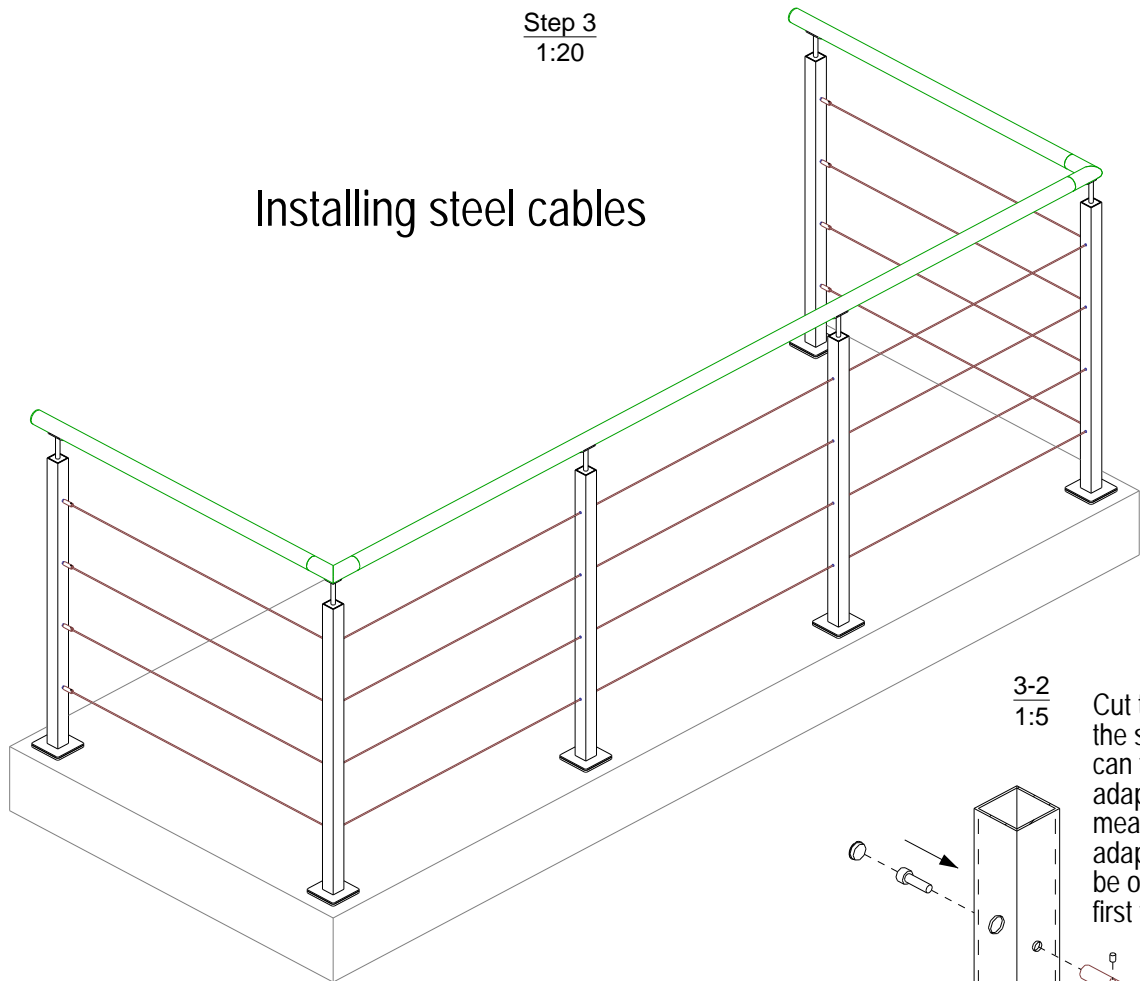
Tallinn, Estonia

Tel: +372 555 17 989 e-mail: stabico@stabico.ee

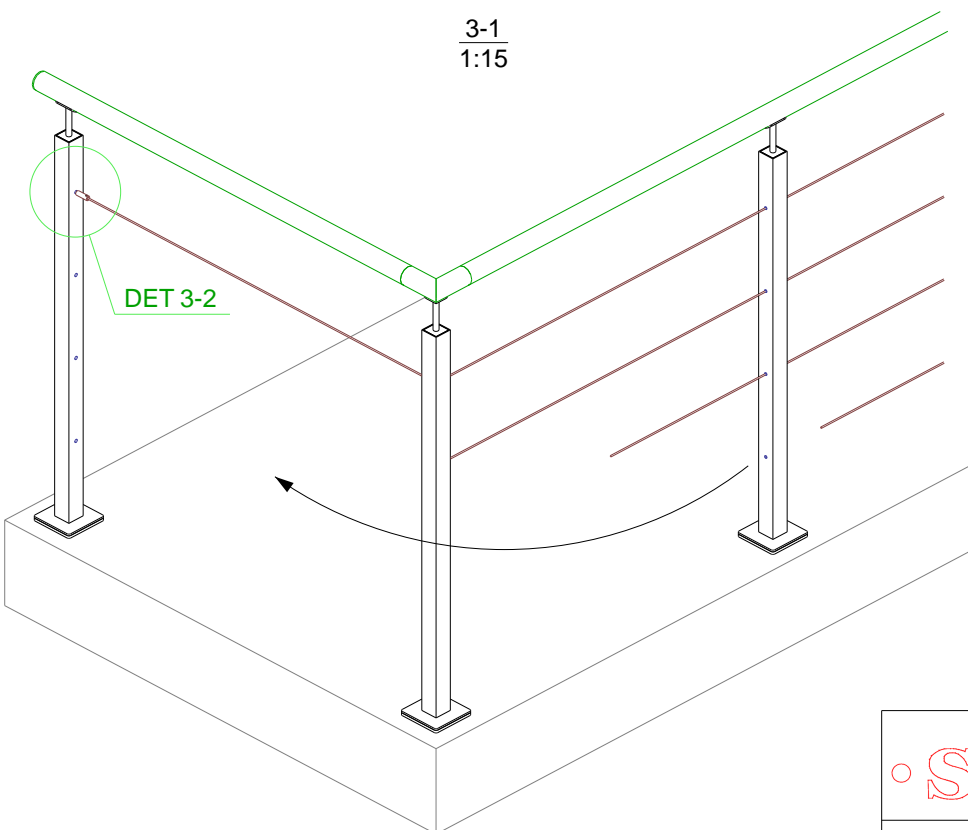
Web: www.stabico.ee

Step 3
1:20

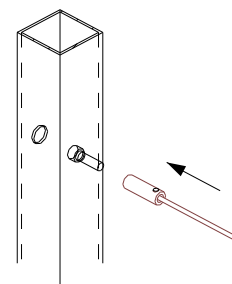
Installing steel cables



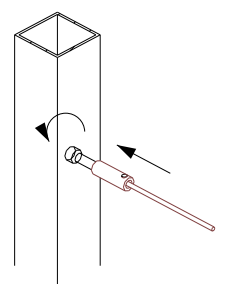
3-1
1:15



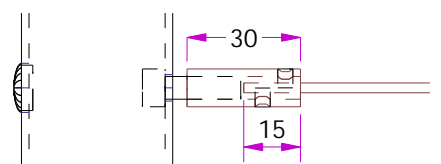
3-2-1
1:5



3-2-2
1:5



3-2-3
1:2



• staBico •

Producer: STABICO OU

Tallinn, Estonia

Tel: +372 555 17 989

e-mail: stabico@stabico.ee

Web: www.stabico.ee