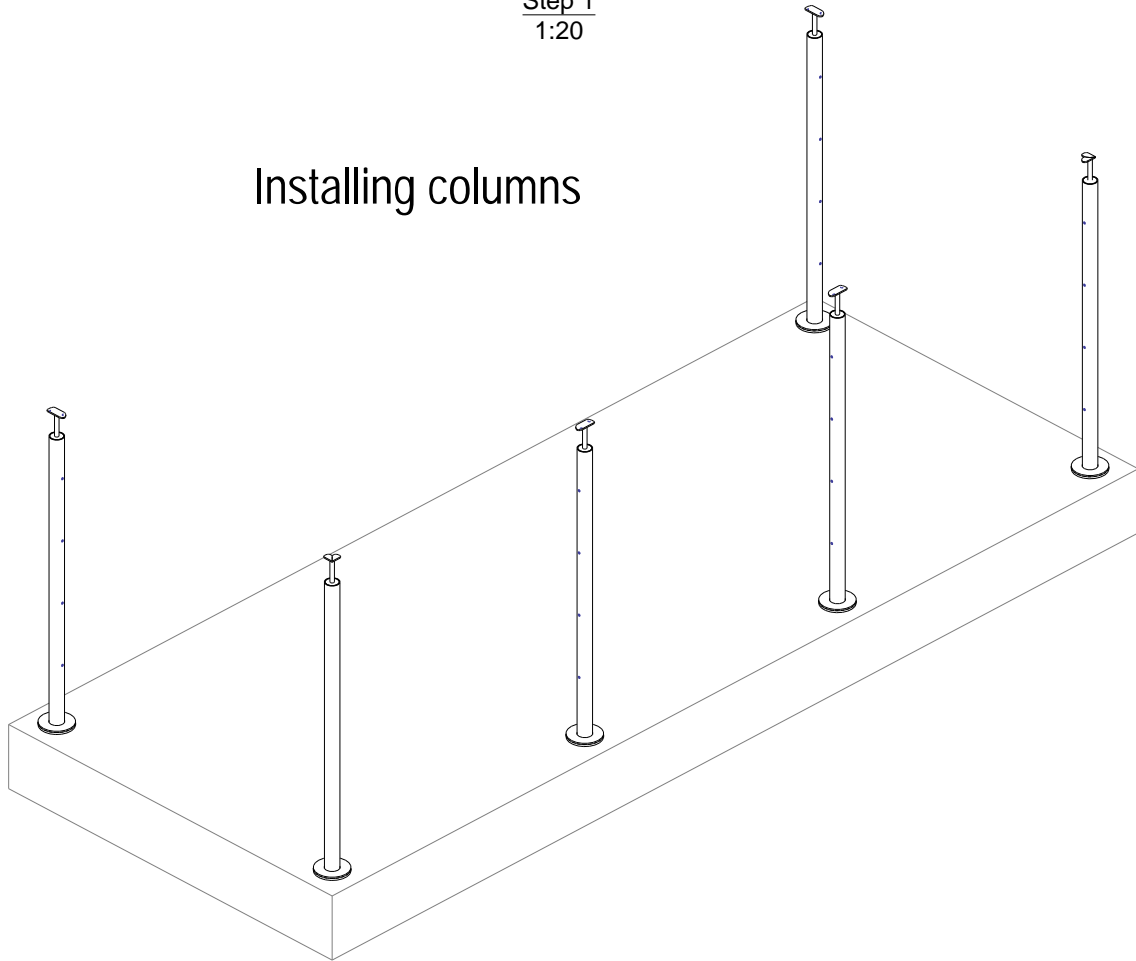
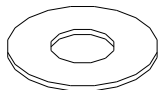


Step 1
1:20

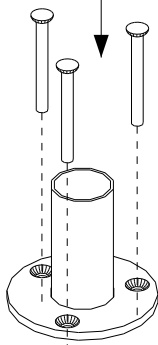
Installing columns



1-1
1:5

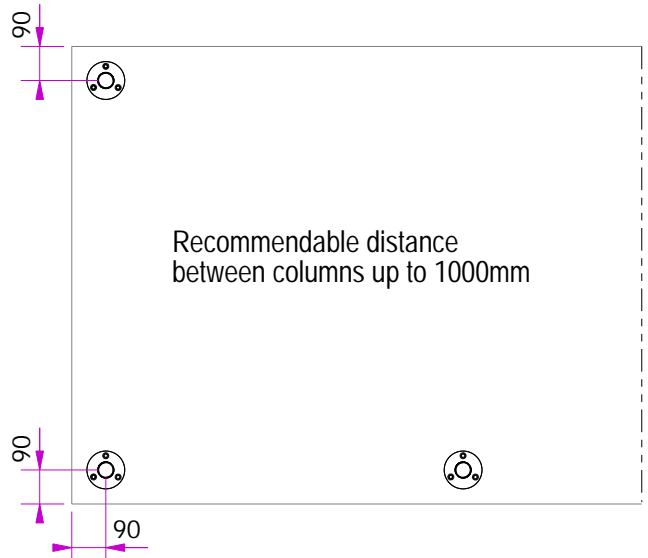


Cover plate



Concrete screw
(not included)

Top view
1:20



• staBico •

Producer: STABICO OU

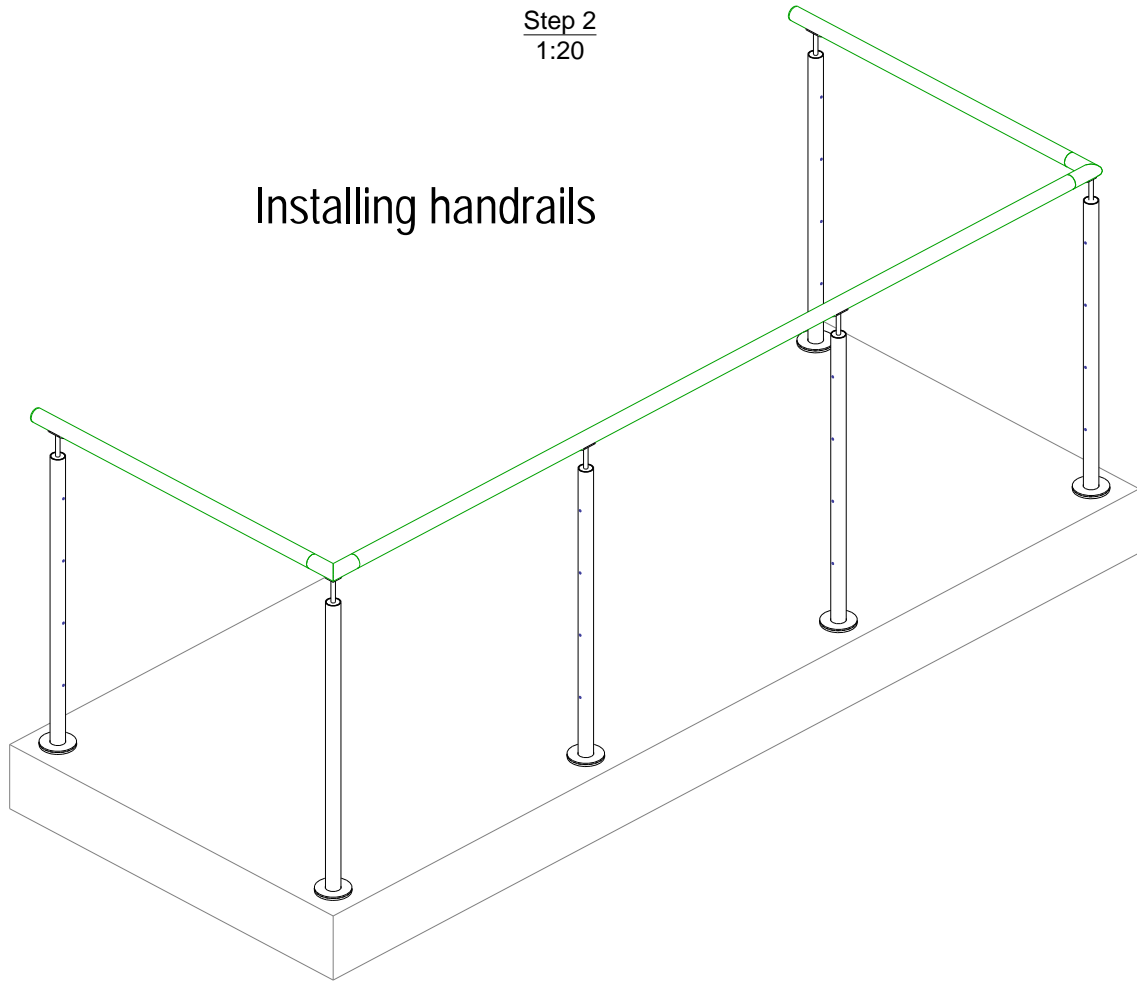
Tallinn, Estonia

Tel: +372 555 17 989 e-mail: stabico@stabico.ee

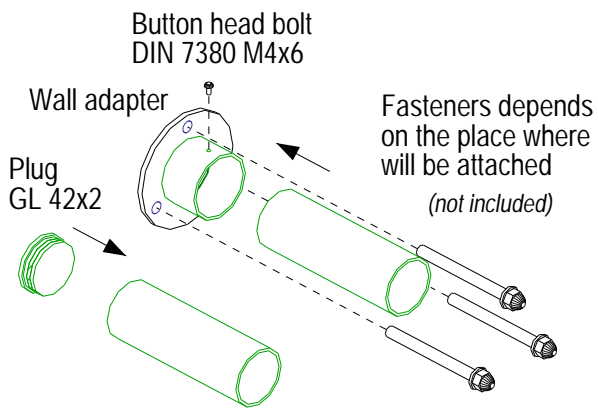
Web: www.stabico.ee

Step 2
1:20

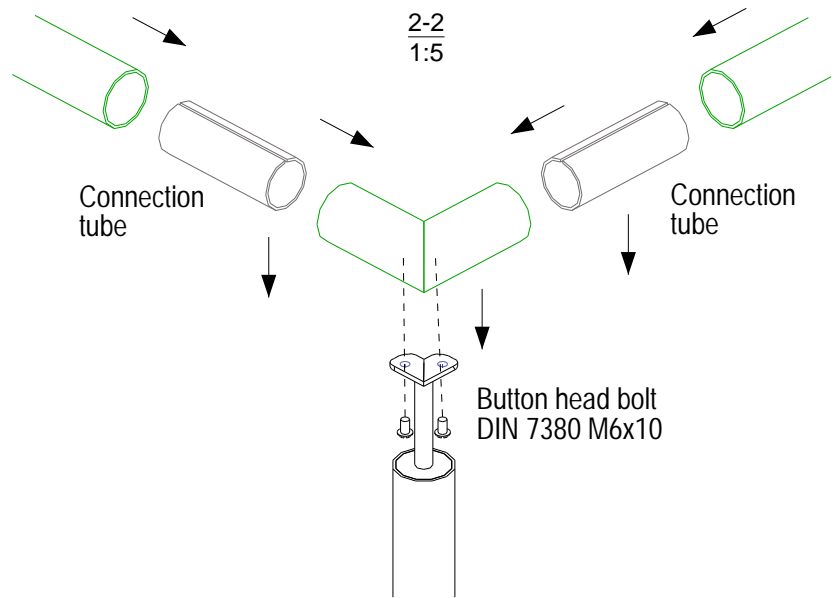
Installing handrails



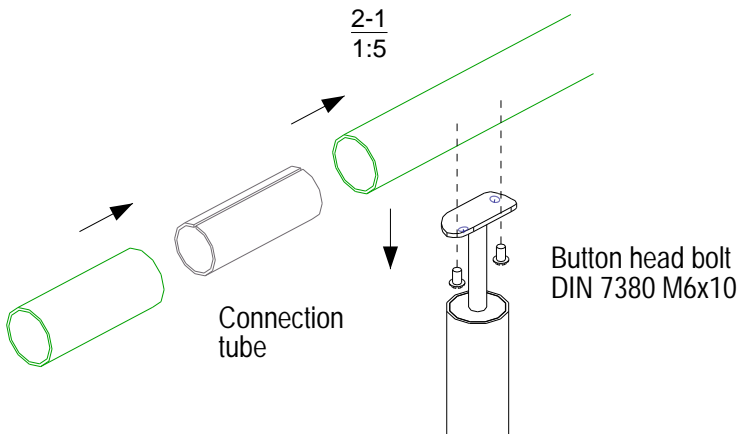
2-3
1:5



2-2
1:5



2-1
1:5



• staBico •

Producer: STABICO OU

Tallinn, Estonia

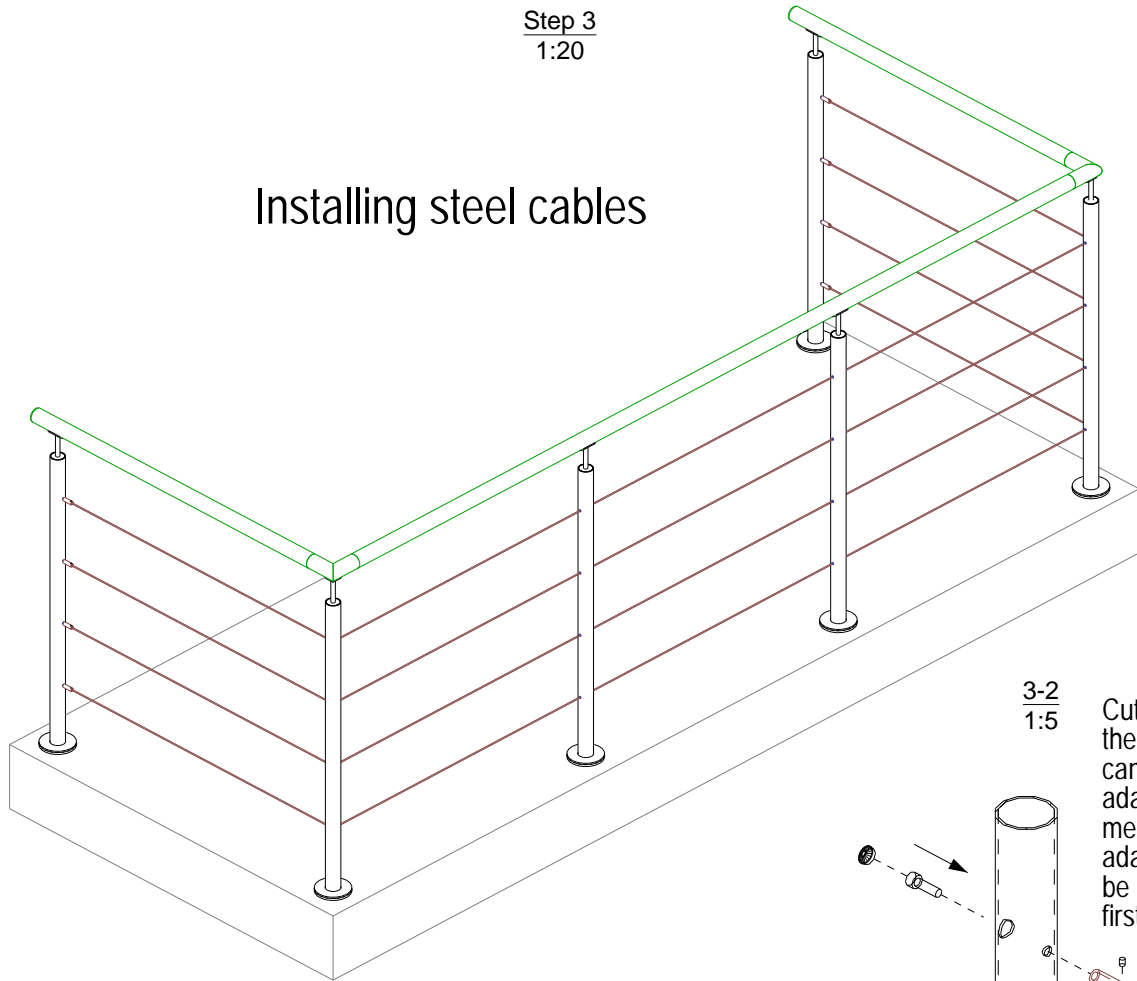
Tel: +372 555 17 989

e-mail: stabico@stabico.ee

Web: www.stabico.ee

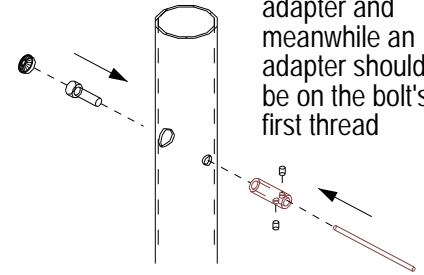
Step 3
1:20

Installing steel cables

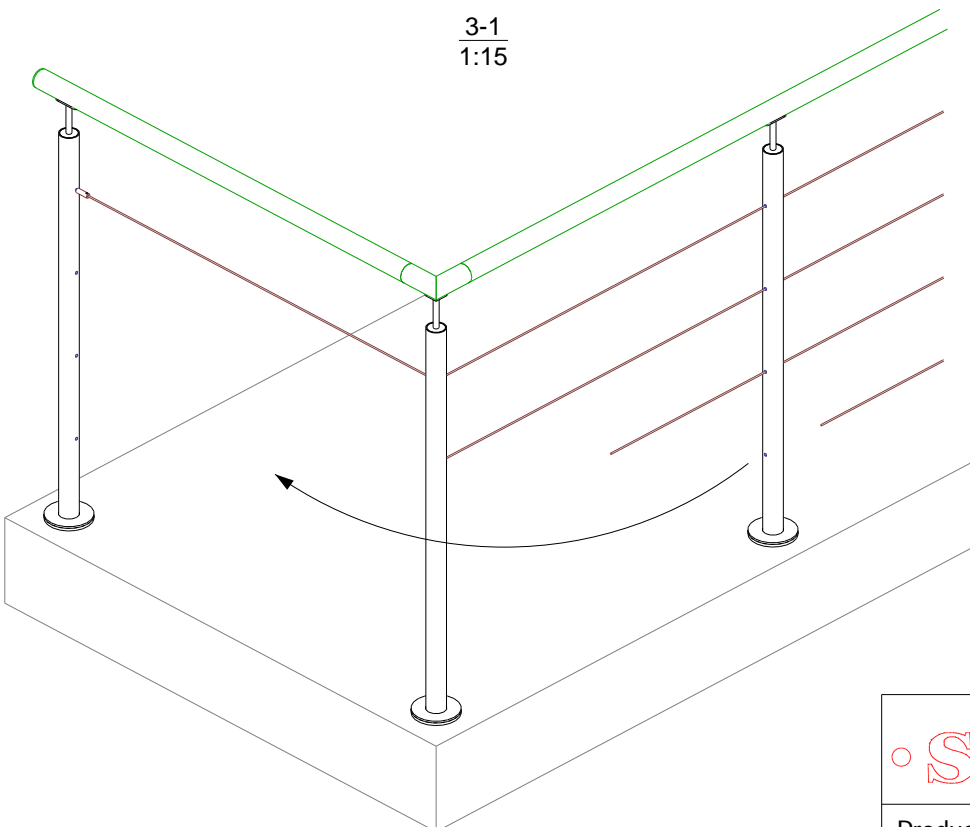


3-2
1:5

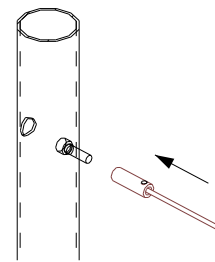
Cut the cable to the spot so that it can fit into the adapter and meanwhile an adapter should be on the bolt's first thread



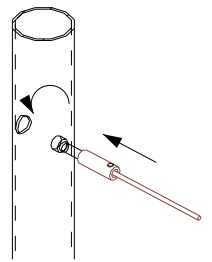
3-1
1:15



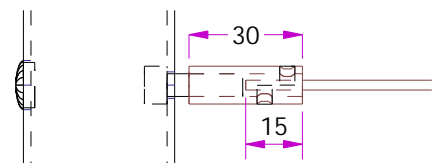
3-2-1
1:5



3-2-2
1:5



3-2-3
1:2



• staBico •

Producer: STABICO OU

Tallinn, Estonia

Tel: +372 555 17 989 e-mail: stabico@stabico.ee

Web: www.stabico.ee