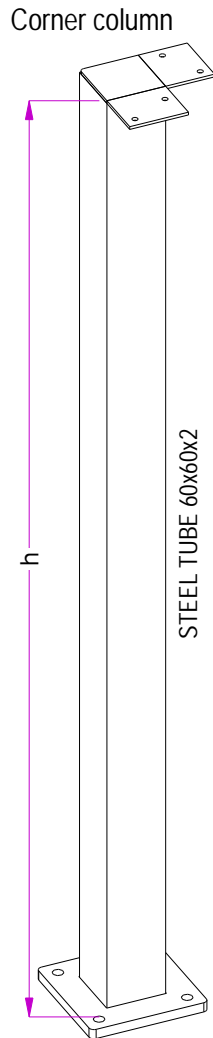
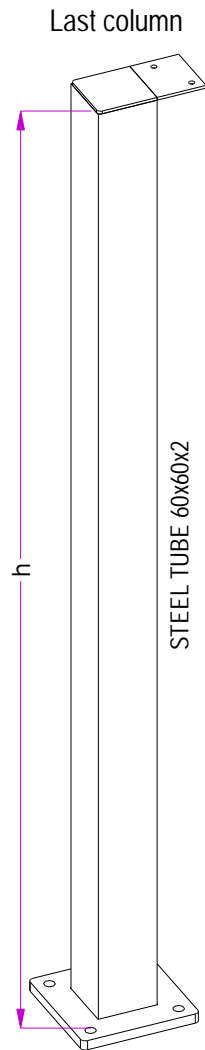
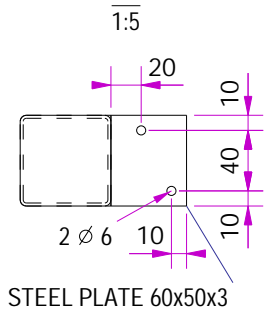


# WORK SHEET

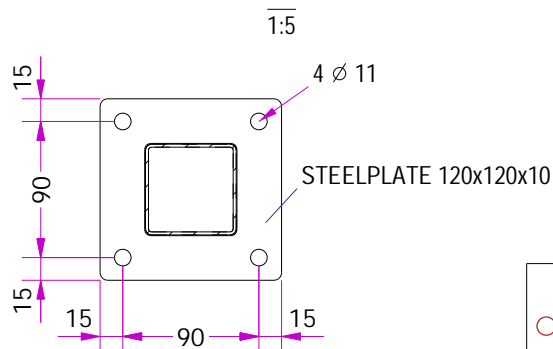
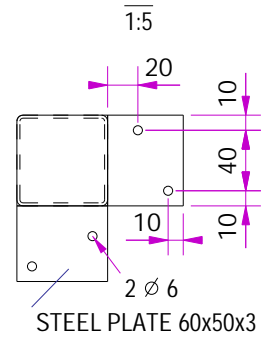
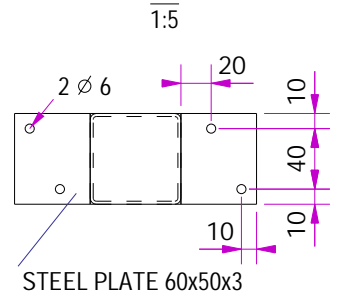
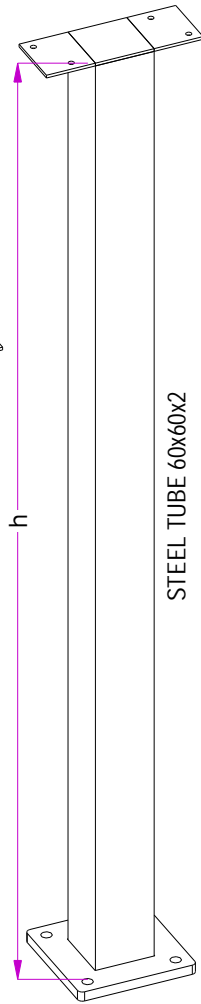
03.09.2018

## TERRACE BORDER COLUMNS 60x60x2

3D view



Normal column



	Height h	Quantity
Corner column		
Normal column		
Last column		

Fe	Kzn	Ral

• **staBico** •

Producer: STABICO OU

Tallinn, Estonia

Tel: +372 555 17 989 e-mail: [stabico@stabico.ee](mailto:stabico@stabico.ee)

Web: [www.stabico.ee](http://www.stabico.ee)