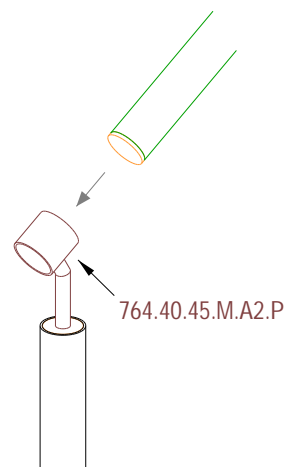
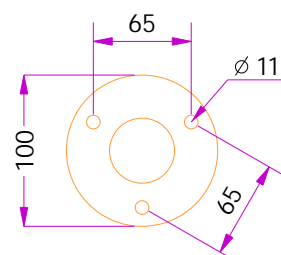


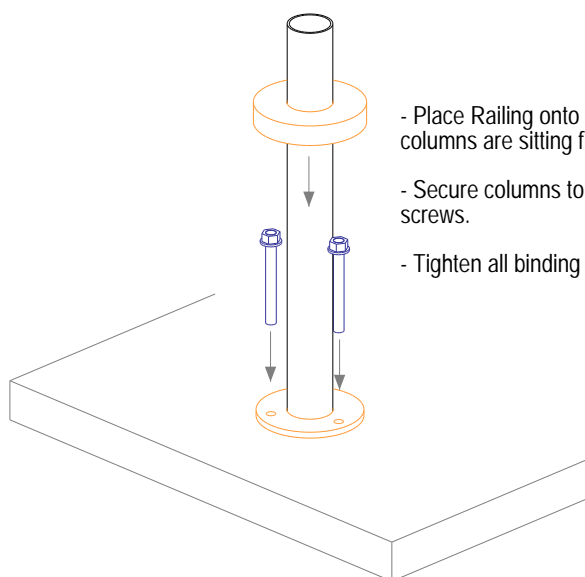
Detail 1



Detail 3



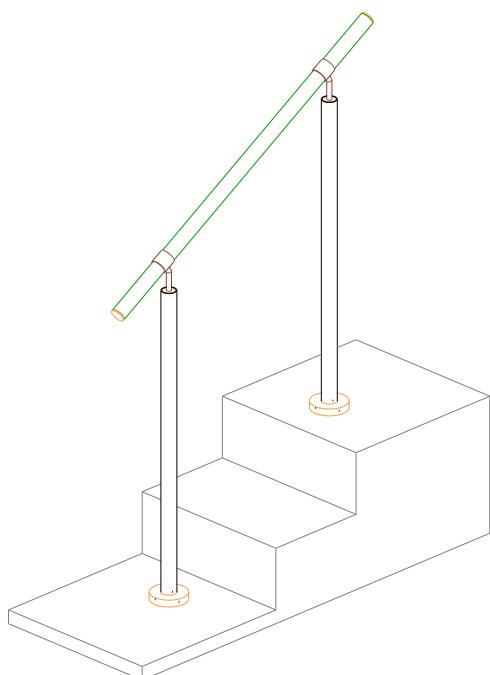
Detail 2



- Place Railing onto steps and adjust so both columns are sitting flush on the steps.

- Secure columns to steps with fastener screws.

- Tighten all binding bolts



• **staBico** •

Producer: STABICO OU

Tallinn, Estonia

Tel: +372 555 17 989 e-mail: [stabico@stabico.ee](mailto:stabico@stabico.ee)

Web: [www.stabico.ee](http://www.stabico.ee)